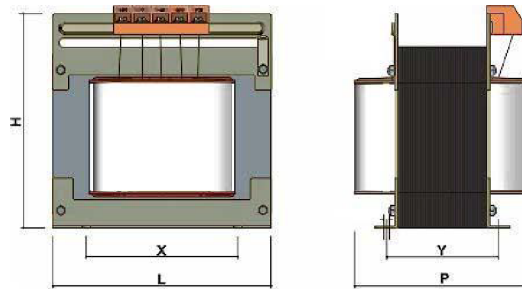
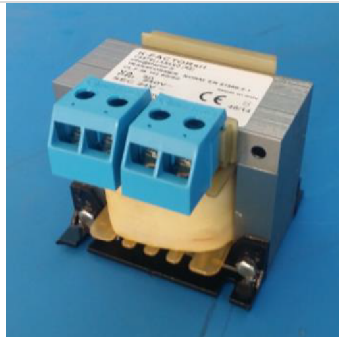


Single phase control transformers ITP range

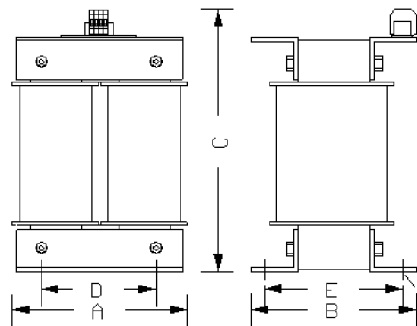
natural air cooling type AN, suitable for indoor use
copper galvanically isolated windings

TECHNICAL SPECIFICATION:

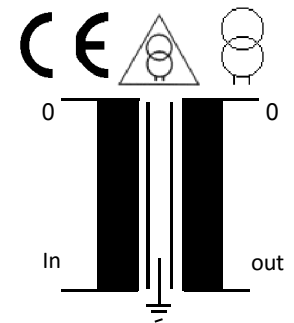
Rated power:	40:5000VA
Input voltage:	See below
Output voltage:	See below
Frequency:	50/60 Hz
Protection:	IP00
Protection class:	I
Isolation class:	F
Ambient temperature:	40°C
Max temperature rise:	80°C
Max regulation:	3,5%
Short circuit voltage:	5% max
Efficiency	> 97%
Cooling	AN
Relative humidity	95%
Max altitude	up to 1000mt. above sea level
Applied standards:	EN61558-2-1; CEI 96-4



ITP RANGE UP TO 3000VA



MC RANGE FROM 4KVA TO 5KVA



Part no.	Power	PRI V	Sec V	Dimensions mm.	Weight Kg.
ITP0052892	40VA	110-240	12-24-48 – 0,8 A	75X60X88	0.9
ITP0092892	50VA	110-240	12-24-48 – 1 A	75X65X88	1.0
ITP0292892	100VA	110-240	12-24-48 – 2 A	84X90X82	2.0
ITP0492892	150VA	110-240	12-24-48 – 3 A	98X100X92	2.8
ITP0692892	250VA	110-240	12-24-48 – 5 A	98X120X92	3.5
ITP0792892	300VA	110-240	12-24-48 – 6 A	122X100X115	5
ITP1192892	500VA	110-240	12-24-48 – 10 A	122X110X115	6
ITP1792892	1000VA	110-240	12-24-48 – 20 A	152X130X140	11
ITP2192892	2000VA	110-240	12-24-48 – 40 A	182X140X170	18
ITP2492892	3000VA	110-240	12-24-48 – 60 A	194X150X180	23
MC2872892	5000VA	110-240	12-24-48 – 100 A	240X200X340	45

ITP0092991	50VA	110-240-380-440	12-24-48-110-240	86x32x98	1.3
ITP0292991	100VA	110-220-380-440	12-24-48-110-240	98x82x110	2.3
ITP0592991	200VA	110-220-380-440	12-24-48-110-240	98X110X92	2.8
ITP0792991	300VA	110-220-380-440	12-24-48-110-240	122X100X115	5
ITP1192991	500VA	110-220-380-440	12-24-48-110-240	122X110X115	6
ITP1792991	1000VA	110-220-380-440	12-24-48-110-240	152X160X150	11
ITP2192991	2000VA	110-220-380-440	12-24-48-110-240	182X160X170	18
ITP2492991	3000VA	110-220-380-440	12-24-48-110-240	194X150X180	23
MC2872991	5000VA	110-220-380-440	12-24-48-110-240	240X200X340	45