

# Technical data



# Cast alu cases



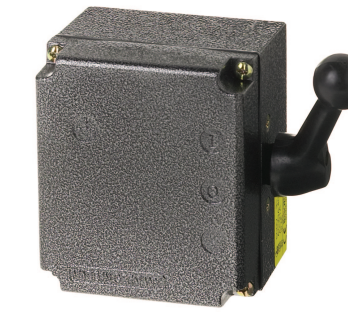
2 pole IP65 rating according to VDE 0660 IEC 60947-3												
Order Nr.	20-20/27	20-20/30	20-20/22	20-20/28	20-20/10	20-20/29	20-20/53	20-20/61	20-20/57	20-20/65	20-20/25	20-20/26
Type	AG-16/2	AG-20/2	AG-25/2	AG-30/2	AG-32/2	AG-40/2	AG-45/2	AG-50/2	AG-63/2	AG-80/2	AG-100/2	AG-125/2
Degree of protection	IP 65	IP 65	IP 65	IP 65	IP 65	IP 65	IP 65	IP 65	IP 65	IP 65	IP 65	IP 65
Case	1515/6	1515/6	1515/6	1515/6	1515/6	SM-16/4	SM-16/4	SM-16/4	1642N19	1663N1-2	1760/4	1760/4
Dimensions* (wxhxd) mm	92x108x74.5	92x108x74.5	92x108x74.5	92x108x74.5	92x108x74.5	151x141x100	151x141x100	151x141x100	159x214x119	189x243x125.5	280x267x140	280x267x140
Isolation voltage	500 V	500 V	500 V	500 V	500 V	500 V	500 V	500 V	500 V	500 V	500 V	500 V
Rated thermal current I <sub>th</sub>	16 A	20 A	25 A	30 A	32 A	40 A	45 A	50 A	63 A	80 A	100 A	125 A
Rated current, I <sub>e</sub>												
AC23A	16 A	16 A	16 A	25 A	25 A	32 A	40 A	40 A	50 A	63 A	85 A	100 A
AC21A	16 A	20 A	25 A	30 A	32 A	40 A	45 A	50 A	63 A	80 A	100 A	125 A
Motor output at 400 V	7.5 kW	7.5 kW	7.5 kW	11 kW	11 kW	15 kW	18.5 kW	18.5 kW	30 kW	30 kW	45 kW	45 kW
Max fuse	16 A	20 A	25 A	32 (35)A	32 (35)A	50 A	50 A	50 A	63 A	80 A	100 A	125 A
Rated frequency	50-60 Hz	50-60 Hz	50-60 Hz	50-60 Hz	50-60 Hz	50-60 Hz	50-60 Hz	50-60 Hz	50-60 Hz	50-60 Hz	50-60 Hz	50-60 Hz
Conditional short circuit current	25 kA	25 kA	25 kA	25 kA	25 kA	25 kA	25 kA	25 kA	50 kA	50 kA	50 kA	50 kA
Terminals for cable section Cu	4 mm <sup>2</sup>	6 mm <sup>2</sup>	6 mm <sup>2</sup>	10 mm <sup>2</sup>	10 mm <sup>2</sup>	10 mm <sup>2</sup>	16 mm <sup>2</sup>	16 mm <sup>2</sup>	16 mm <sup>2</sup>	25 mm <sup>2</sup>	70 mm <sup>2</sup>	70 mm <sup>2</sup>

\*without handle

4 pole IP65 rating according to VDE 0660 IEC 60947-3												
Order Nr.	20-21/40	20-21/48	20-21/41	20-21/99	20-21/49	20-21/67	20-21/82	20-21/110	20-21/80	20-21/83	20-21/27	20-21/7
Type	AG-16/4	AG-20/4	AG-25/4	AG-30/4	AG-32/4	AG-40/4	AG-45/4	AG-50/4	AG-63/4	AG-80/4	AG-100/4	AG-125/4
Degree of protection	IP 65	IP 65	IP 65	IP 65	IP 65	IP 65	IP 65	IP 65	IP 65	IP 65	IP 65	IP 65
Case	1515/6	1515/6	1515/6	1515/6	1515/6	SM-16/4	SM-16/4	SM-16/4	1642N19	1663N1-2	1760/4	1760/4
Dimensions* (wxhxd) mm	92x108x74.5	92x108x74.5	92x108x74.5	92x108x74.5	92x108x74.5	151x141x100	151x141x100	151x141x100	159x214x119	189x243x125.5	280x267x140	280x267x140
Isolation voltage	500 V	500 V	500 V	500 V	500 V	500 V	500 V	500 V	500 V	500 V	500 V	500 V
Rated thermal current I <sub>th</sub>	16 A	20 A	25 A	30 A	32 A	40 A	45 A	50 A	63 A	80 A	100 A	125 A
Rated current, I <sub>e</sub>												
AC23A	16 A	16 A	16 A	25 A	25 A	32 A	40 A	40 A	50 A	63 A	85 A	100 A
AC21A	16 A	20 A	25 A	30 A	32 A	40 A	45 A	50 A	63 A	80 A	100 A	125 A
Motor output at 400 V	7.5 kW	7.5 kW	7.5 kW	11 kW	11 kW	15 kW	18.5 kW	18.5 kW	30 kW	30 kW	45 kW	45 kW
Max fuse	16 A	20 A	25 A	32 (35)A	32 (35)A	50 A	50 A	50 A	63 A	80 A	100 A	125 A
Rated frequency	50-60 Hz	50-60 Hz	50-60 Hz	50-60 Hz	50-60 Hz	50-60 Hz	50-60 Hz	50-60 Hz	50-60 Hz	50-60 Hz	50-60 Hz	50-60 Hz
Conditional short circuit current	25 kA	25 kA	25 kA	25 kA	25 kA	25 kA	25 kA	25 kA	50 kA	50 kA	50 kA	50 kA
Terminals for cable section Cu	4 mm <sup>2</sup>	6 mm <sup>2</sup>	6 mm <sup>2</sup>	10 mm <sup>2</sup>	10 mm <sup>2</sup>	10 mm <sup>2</sup>	16 mm <sup>2</sup>	16 mm <sup>2</sup>	16 mm <sup>2</sup>	25 mm <sup>2</sup>	70 mm <sup>2</sup>	70 mm <sup>2</sup>

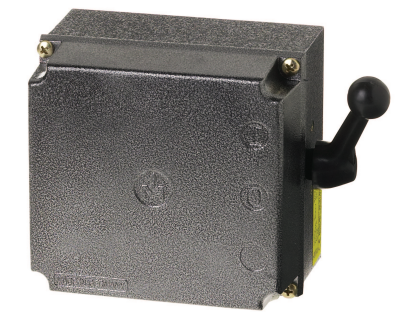
\*without handle

AG-16  
AG-20  
AG-25  
AG-30  
AG-32

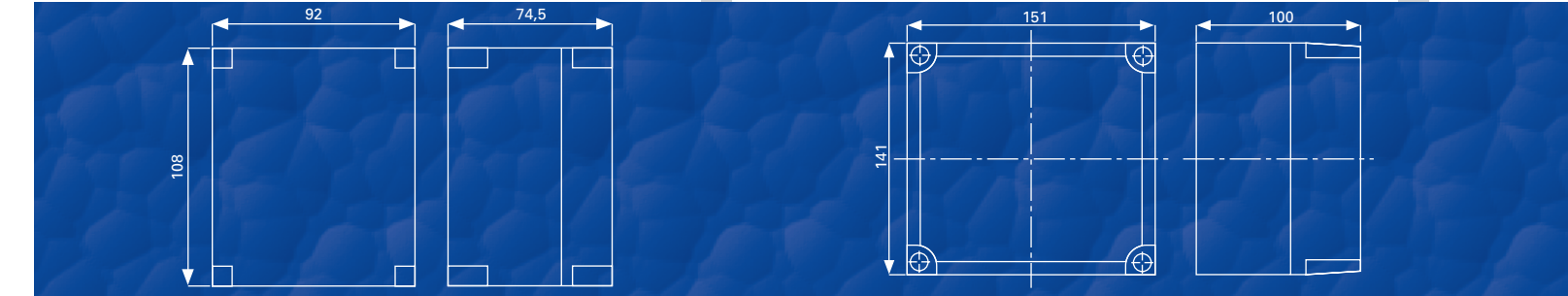


1515/6

AG-40  
AG-45  
AG-50



SM-16/4



AG-63



1642N19

AG-80



1663N1-2



AG-100  
AG-125



1760/4

