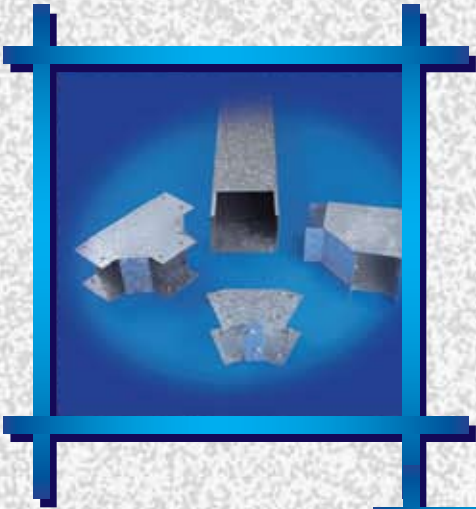


DECODUCT®

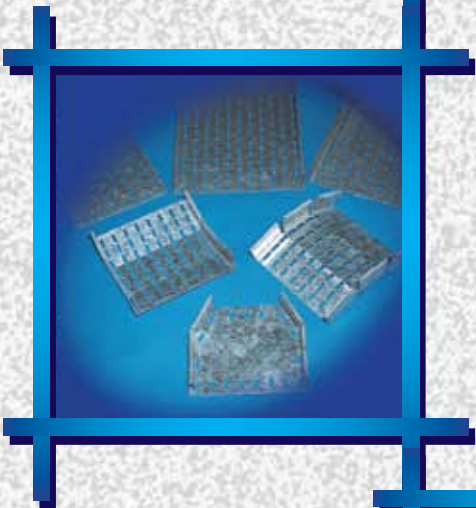
CABLE MANAGEMENT SYSTEMS



METAL TRUNKING SYSTEM



FLOOR DISTRIBUTION SYSTEMS



METAL CABLE TRAY SYSTEM

METAL CABLE LADDER SYSTEM



SUPPORT SYSTEM





CONTENTS

METAL TRUNKING SYSTEM

3

FLOOR DISTRIBUTION SYSTEMS

9

METAL CABLE TRAY SYSTEM

15

METAL CABLE LADDER SYSTEM

29

SUPPORT SYSTEM

37

TECHNICAL SPECIFICATIONS

41

[®]
DECODUCT



**MANUFACTURED IN ACCORDANCE WITH
BRITISH STANDARDS**

Trunking & Accessories :

BS EN 10142

BS EN 10143

BS 4678 Part 1 : 1971 Class III

CODING SYSTEM FOR METAL TRUNKING

D I - 0 PG

D : Decoduct

I : Metal Trunking

- : Product accessory code, if any

**eg.: for 90° Gusset Bend Top Lid, use GB90 TL
for 45° Gusset Bend Inside Lid, use GB45IL
for Gusset Tee Outside Lid, use GTOL**

0 : Size code as in catalogue

PG : Suffix for Pre-Galvanised

Suffix options :

G - Hot Dip Galvanised (after manufacturing)

SS - Stainless Steel

EC - Epoxy Coated

PL - PVC Laminated

Note: Actual product design features may vary for improvements.

METAL TRUNKING SYSTEM





Metal Trunking System

Standard Length : 3 metre



SINGLE COMPARTMENT RETURN EDGE TRUNKING

Item code	Size (mm)	Item code	Size (mm)
DI 0PG	50 x 50	DI 14PG	200 x 200
DI 1PG	75 x 50	DI 15PG	225 x 50
DI 2PG	75 x 75	DI 16PG	225 x 75
DI 3PG	100 x 50	DI 17PG	225 x 100
DI 4PG	100 x 75	DI 18PG	225 x 150
DI 5PG	100 x 100	DI 19PG	225 x 200
DI 6PG	150 x 50	DI 20PG	225 x 225
DI 7PG	150 x 75	DI 21PG	300 x 50
DI 8PG	150 x 100	DI 22PG	300 x 75
DI 9PG	150 x 150	DI 23PG	300 x 100
DI 10PG	200 x 50	DI 24PG	300 x 150
DI 11PG	200 x 75	DI 25PG	300 x 200
DI 12PG	200 x 100	DI 26PG	300 x 225
DI 13PG	200 x 150	DI 27PG	300 x 300

- For two & three compartments, use suffix /2 & /3 respectively
- If no suffix, it is understood to be single compartment



END CAP*

Item code	Size (mm)
DIEC 0PG	50 x 50
DIEC 1PG	75 x 50
DIEC 2PG	75 x 75
DIEC 3PG	100 x 50
DIEC 4PG	100 x 75
DIEC 5PG	100 x 100
DIEC 6PG	150 x 50



CROSSOVER TOP LID*

Item code	Size (mm)
DIXTL 0PG	50 x 50
DIXTL 1PG	75 x 50
DIXTL 2PG	75 x 75
DIXTL 3PG	100 x 50
DIXTL 4PG	100 x 75
DIXTL 5PG	100 x 100
DIXTL 6PG	150 x 50

NOTE : Other Sizes & Finishes available on request.

Metal Trunking System

* For other sizes in relevant accessories refer to respective size codes in trunking section.
eg : size 225 x 200 mm use size code 19 as follows;
for *cross over top lid* item code to read *DIXTL19 PG*



GUSSET TEE TOP LID*

Item code	Size (mm)
DIGTTL 0PG	50 x 50
DIGTTL 1PG	75 x 50
DIGTTL 2PG	75 x 75
DIGTTL 3PG	100 x 50
DIGTTL 4PG	100 x 75
DIGTTL 5PG	100 x 100
DIGTTL 6PG	150 x 50



GUSSET TEE INSIDE LID*

Item code	Size (mm)
DIGTIL 0PG	50 x 50
DIGTIL 1PG	75 x 50
DIGTIL 2PG	75 x 75
DIGTIL 3PG	100 x 50
DIGTIL 4PG	100 x 75
DIGTIL 5PG	100 x 100
DIGTIL 6PG	150 x 50



GUSSET TEE OUTSIDE LID*

Item code	Size (mm)
DIGTOL 0PG	50 x 50
DIGTOL 1PG	75 x 50
DIGTOL 2PG	75 x 75
DIGTOL 3PG	100 x 50
DIGTOL 4PG	100 x 75
DIGTOL 5PG	100 x 100
DIGTOL 6PG	150 x 50



90° GUSSET BEND TOP LID*

Item code	Size (mm)
DIGB90TL 0PG	50 x 50
DIGB90TL 1PG	75 x 50
DIGB90TL 2PG	75 x 75
DIGB90TL 3PG	100 x 50
DIGB90TL 4PG	100 x 75
DIGB90TL 5PG	100 x 100
DIGB90TL 6PG	150 x 50

For 30°, 45° & 60°, replace '90' by '30', '45', '60' respectively in item code



Metal Trunking System



90° GUSSET BEND OUTSIDE LID*

Item code	Size (mm)
DIGB90OL 0PG	50 x 50
DIGB90OL 1PG	75 x 50
DIGB90OL 2PG	75 x 75
DIGB90OL 3PG	100 x 50
DIGB90OL 4PG	100 x 75
DIGB90OL 5PG	100 x 100
DIGB90OL 6PG	150 x 50

For 30°, 45° & 60°, replace '90' by '30','45', '60' respectively in item code



90° GUSSET BEND INSIDE LID*

Item code	Size (mm)
DIGB90IL 0PG	50 x 50
DIGB90IL 1PG	75 x 50
DIGB90IL 2PG	75 x 75
DIGB90IL 3PG	100 x 50
DIGB90IL 4PG	100 x 75
DIGB90IL 5PG	100 x 100
DIGB90IL 6PG	150 x 50

For 30°, 45° & 60°, replace '90' by '30','45', '60' respectively in item code



CABLE RETAINER

Item code	Size (mm)
DICR 0PG	50
DICR 1PG	75
DICR 2PG	100
DICR 3PG	150
DICR 4PG	200
DICR 5PG	225
DICR 6PG	300



END FLANGE (SINGLE)*

Item code	Size (mm)
DIEF1 0PG	50 x 50
DIEF1 1PG	75 x 50
DIEF1 2PG	75 x 75
DIEF1 3PG	100 x 50
DIEF1 4PG	100 x 75
DIEF1 5PG	100 x 100
DIEF1 6PG	150 x 50

Metal Trunking System

* For other sizes in relevant accessories refer to respective size codes in trunking section.
 eg : size 225 x 200 mm use size code 19 as follows;
 for cross over top lid item code to read DIXTL19 PG



END FLANGE (TWO PIECE)

Item code	Size suitable for
DIEF2 0PG	50 mm high
DIEF2 1PG	75 mm high
DIEF2 2PG	100 mm high
DIEF2 3PG	150 mm high
DIEF2 4PG	200 mm high
DIEF2 5PG	225 mm high
DIEF2 6PG	300 mm high



COUPLER*

Item code	Size suitable for
DIC 0PG	50 x 50
DIC 1PG	75 x 50
DIC 2PG	75 x 75
DIC 3PG	100 x 50
DIC 4PG	100 x 75
DIC 5PG	100 x 100
DIC 6PG	150 x 50



REDUCER

Item code	Size suitable for
DIR 0PG	75 x 50
DIR 1PG	100 x 50
DIR 2PG	100 x 75
DIR 3PG	150 x 50
DIR 4PG	150 x 75
DIR 5PG	150 x 100
DIR 6PG	200 x 50
DIR 7PG	200 x 75
DIR 8PG	200 x 100
DIR 9PG	200 x 150
DIR 10PG	225 x 50
DIR 11PG	225 x 75
DIR 12PG	225 x 100
DIR 13PG	225 x 150
DIR 14PG	225 x 200
DIR 15PG	300 x 50
DIR 16PG	300 x 75
DIR 17PG	300 x 100
DIR 18PG	300 x 150
DIR 19PG	300 x 200
DIR 20PG	300 x 225

NOTE : Support and Suspension System for Metal Trunking is available upon request

®

DECODUCT



MANUFACTURED IN ACCORDANCE WITH
BRITISH STANDARDS

Trunking & Accessories : BS 2989

CODING SYSTEM FOR RAISED/FLUSH FLOOR

D FR / FF - 0 PG

D : Decoduct

FR : Floor (Raised)

FF : Floor (Flushed)

- : Accessory code, if any

e.g. C - Coupler

SB - Service Box

0 : Size code as in catalogue

PG : Suffix for Pre Galvanised

Suffix options:

G - Hot Dip Galvanised (after manufacturing)

EC - Epoxy Coated

SS - Stainless Steel

PL - PVC Laminated

CODING SYSTEM FOR SCREEDED FLOOR

D FS - P

D : Decoduct

FS : Floor (Screeded)

- : Accessory code, if any

e.g. R1 - Trapezoidal Duct in size 90 x 40 mm

DA1-Duct Adaptor for Duct R1

JS2-Jointing Sleeve for Duct R2

P : Suffix for PVC product

Suffix options:

PG - Pre Galvanised

G - Hot Dip Galvanised

EC - Epoxy Coated

Note: Actual product design features may vary for improvements.

FLOOR DISTRIBUTION SYSTEMS





Floor Distribution System - Screeded Floor



DUCT

Item code	Size (mm)
DFS R1 P	90 x 40
DFS R2 P	60 x 30



DUCT ADAPTOR

Item code	Size (mm)
DFS DA1 P	90 x 40
DFS DA2 P	60 x 30



DUCT ADAPTOR REDUCER

Item code	Size (mm)	
	From	To
DFS DAR P	90 x 40	60 x 30



JOINTING SLEEVE

Item code	Size (mm)
DFS JS1 P	90 x 40
DFS JS2 P	60 x 30



DUCT REDUCER

Item code	Size (mm)	
	From	To
DFS DR P	90 x 40	60 x 30

Floor Distribution System - Screeded Floor



BLANK

Item code	Size (mm)
DFS B1 P	90 x 40
DFS B2 P	60 x 30



• Available with lid

CONCEALED OUTLET (SERVICE) BOX

Item code	Size (mm)	Outlets	Duct size
DFSCOB A 1PG	300 x 230 x 78	2	90 x 40
DFSCOB A 2PG	300 x 230 x 78	2	60 x 30
DFSCOB B 1PG	300 x 230 x 78	3	90 x 40
DFSCOB B 2PG	300 x 230 x 78	3	60 x 30

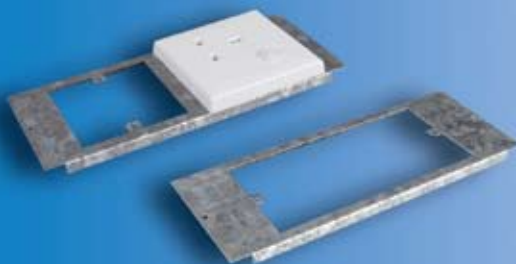
Note: A1 : 'A' type Concealed Outlet Box (2 K.O's) for Duct R1
 A2 : 'A' type Concealed Outlet Box (2 K.O's) for Duct R2
 B1 : 'B' type Concealed Outlet Box (3 K.O's) for Duct R1
 B2 : 'B' type Concealed Outlet Box (3 K.O's) for Duct R2



VERTICAL OUTLET BOX

Item code	Outlets	Duct size
DFSVOB A 1PG	2	90 x 40
DFSVOB A 2PG	2	60 x 30
DFSVOB B 1PG	3	90 x 40
DFSVOB B 2PG	3	60 x 30

Note: A1 : 'A' type Vertical Outlet Box (2 K.O's) for Duct R1
 A2 : 'A' type Vertical Outlet Box (2 K.O's) for Duct R2
 B1 : 'B' type Vertical Outlet Box (3 K.O's) for Duct R1
 B2 : 'B' type Vertical Outlet Box (3 K.O's) for Duct R2



MOUNTING PLATES

Item code	Suitable For
DFSMP 1PG	Twin One Gang Switch/Socket
DFSMP 2PG	Two Gang Switch/Socket



Floor Distribution System - Raised Floor

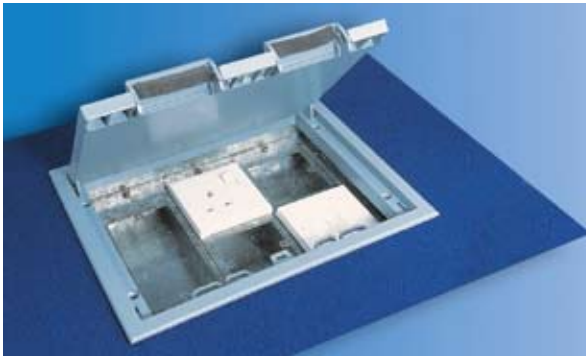


TRUNKING

Item code	Size (mm)	Compartments
DFRR 0PG	150 x 25	2
DFRR 1PG	225 x 25	3
DFRR 2PG	150 x 40	2
DFRR 3PG	225 x 40	3

Standard length : 3 Metres

- For two & three compartments, use suffix /2 & /3 respectively.
If no suffix, it is understood to be single compartment



SERVICE BOX

Item code	TrunkingSize (mm)	Compartments
DFRSB 0PG	150 x 25	2
DFRSB 1PG	225 x 25	3
DFRSB 2PG	150 x 40	2
DFRSB 3PG	225 x 40	3

- Available with lid



COUPLER

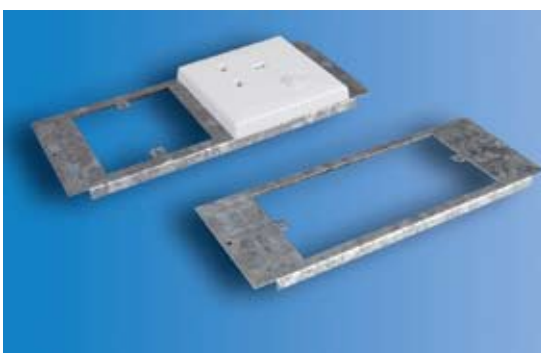
Item code	Trunking Size (mm)
DFRC 0PG	150 x 25
DFRC 1PG	225 x 25
DFRC 2PG	150 x 40
DFRC 3PG	225 x 40



JUNCTION BOX

Item code	TrunkingSize (mm)	Compartments
DFRJB 0PG	150 x 25	2
DFRJB 1PG	225 x 25	3
DFRJB 2PG	150 x 40	2
DFRJB 3PG	225 x 40	3

- Available with lid



MOUNTING PLATES

Item code	Suitable For
DFRMP 1PG	Twin One Gang Switch/Socket
DFRMP 2PG	Two Gang Switch/Socket

Note : Other accessories are available on request

Floor Distribution System - Flush Floor



TRUNKING

Item code	Size (mm)	Compartments
DFFR 0PG	150 x 25	2
DFFR 1PG	225 x 25	3
DFFR 2PG	150 x 40	2
DFFR 3PG	225 x 40	3

Standard length : 3 Metres

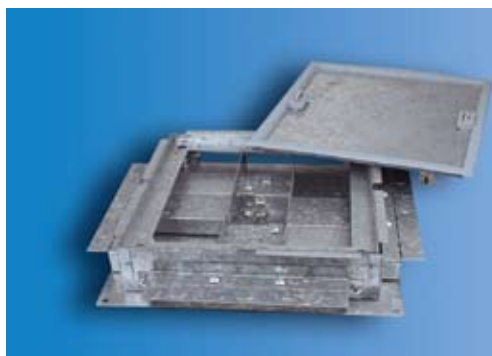
- For two & three compartments, use suffix /2 & /3 respectively.
If no suffix, it is understood to be single compartment



SERVICE BOX

Item code	TrunkingSize (mm)	Compartments
DFFSB 0PG	150 x 25	2
DFFSB 1PG	225 x 25	3
DFFSB 2PG	150 x 40	2
DFFSB 3PG	225 x 40	3

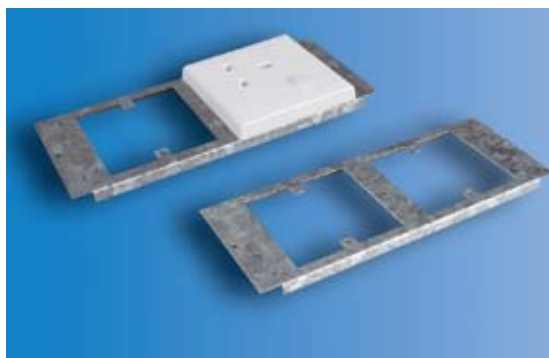
- Available with lid



JUNCTION BOX

Item code	TrunkingSize (mm)	Compartments
DFFJB 0PG	150 x 25	2
DFFJB 1PG	225 x 25	3
DFFJB 2PG	150 x 40	2
DFFJB 3PG	225 x 40	3

- Available with lid



MOUNTING PLATES

Item code	Suitable For
DFFMP 1PG	Twin One Gang Switch/Socket
DFFMP 2PG	Two Gang Switch/Socket

NOTE : Other accessories are available on request

®

DECODUCT



MANUFACTURED IN ACCORDANCE WITH
BRITISH STANDARDS

Trays & Accessories : BS EN 10143
BS EN 1461 : 1999
BS 1449 Part 1

CODING SYSTEM FOR CABLE TRAYS

D T - H 0 PG

D : Decoduct

T : Tray (Cable Tray)

- : Product accessory code, if any
Eg.: 'EX' For Equal Crossover
Or 'FB90' For Flat Bend 90°
Or 'SR' For Straight Reducer

H : Duty
H-Heavy
M-Medium
L-Light

0 : Size code as in catalogue

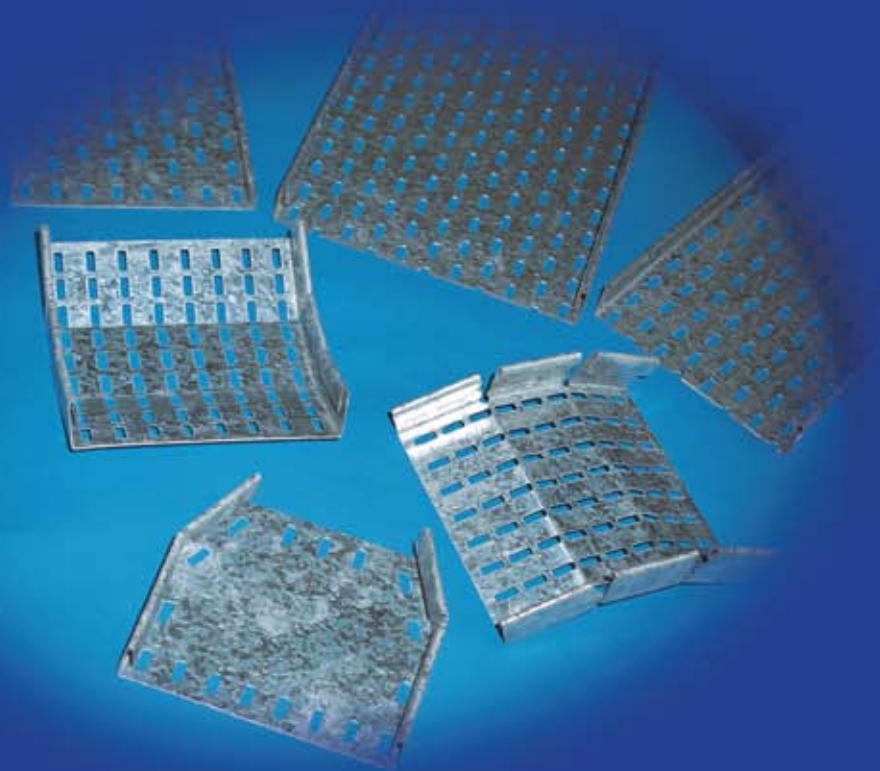
PG : Suffix for Pre-Galvanised

Suffix options :

G - Hot Dip Galvanised (after manufacturing)
SS - Stainless Steel
EC - Epoxy Coated
PL - PVC Laminated

Note: Actual product design features may vary for improvements.

METAL CABLE TRAY SYSTEM





Metal Cable Tray System - Heavy Duty Return Flange

Standard Length : 3.0 metres

Standard Flange Height : 50mm



CABLE TRAY

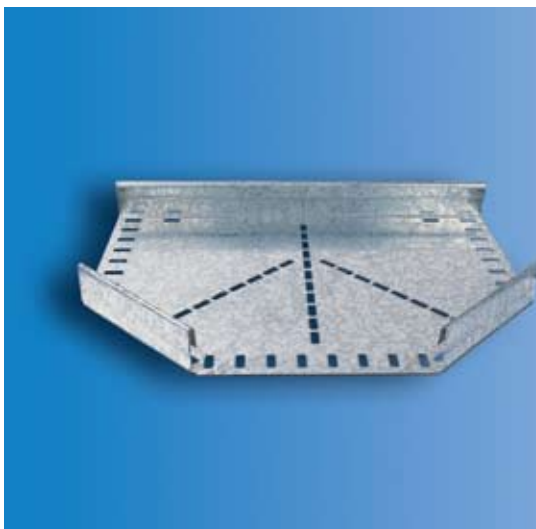
Item code	Width (mm)	Thickness (mm)
DTH 0PG	50	1.5
DTH 1PG	75	1.5
DTH 2PG	100	1.5
DTH 3PG	150	1.5
DTH 4PG	225	1.5
DTH 5PG	300	1.5
DTH 6PG	450	2.0
DTH 7PG	600	2.0
DTH 8PG	750	2.0
DTH 9PG	900	2.0



FLAT BEND 90°

Item code	Width (mm)
DTFB90H 0PG	50
DTFB90H 1PG	75
DTFB90H 2PG	100
DTFB90H 3PG	150
DTFB90H 4PG	225
DTFB90H 5PG	300
DTFB90H 6PG	450
DTFB90H 7PG	600
DTFB90H 8PG	750
DTFB90H 9PG	900

• For 30°, 45° & 60°, replace '90°' by '30°', '45°', '60°' respectively in item code

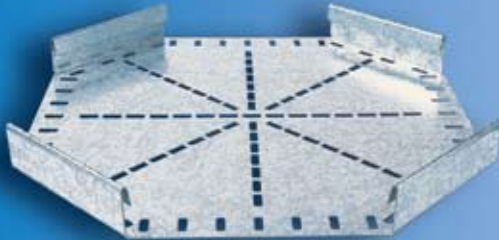


EQUAL TEE

Item code	Width (mm)
DTETH 0PG	50
DTETH 1PG	75
DTETH 2PG	100
DTETH 3PG	150
DTETH 4PG	225
DTETH 5PG	300
DTETH 6PG	450
DTETH 7PG	600
DTETH 8PG	750
DTETH 9PG	900

NOTE : Other Sizes & Finishes available on request.

Metal Cable Tray System - Heavy Duty Return Flange



EQUAL CROSSOVER

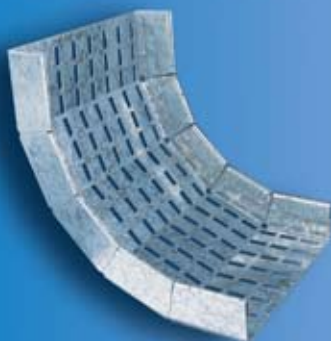
Item code	Width (mm)
DTEXH 0PG	50
DTEXH 1PG	75
DTEXH 2PG	100
DTEXH 3PG	150
DTEXH 4PG	225
DTEXH 5PG	300
DTEXH 6PG	450
DTEXH 7PG	600
DTEXH 8PG	750
DTEXH 9PG	900



OUTSIDE RISER 90⁰

Item code	Width (mm)
DTOR90H 0PG	50
DTOR90H 1PG	75
DTOR90H 2PG	100
DTOR90H 3PG	150
DTOR90H 4PG	225
DTOR90H 5PG	300
DTOR90H 6PG	450
DTOR90H 7PG	600
DTOR90H 8PG	750
DTOR90H 9PG	900

• For 30⁰, 45⁰ & 60⁰, replace '90' by '30', '45', '60' respectively in item code



INSIDE RISER 90⁰

Item code	Width (mm)
DTEXH 0PG	50
DTEXH 1PG	75
DTEXH 2PG	100
DTEXH 3PG	150
DTEXH 4PG	225
DTEXH 5PG	300
DTEXH 6PG	450
DTEXH 7PG	600
DTEXH 8PG	750
DTEXH 9PG	900

• For 30⁰, 45⁰ & 60⁰, replace '90' by '30', '45', '60' respectively in item code



Standard Flange Height : 50mm

STRAIGHT REDUCER

Item code	Width (mm)
DTSRH 0PG	75X50
DTSRH 1PG	100X75
DTSRH 2PG	100X50
DTSRH 3PG	150X100
DTSRH 4PG	150X75
DTSRH 5PG	150X50
DTSRH 6PG	225X150
DTSRH 7PG	225X100
DTSRH 8PG	225X75
DTSRH 9PG	225X50
DTSRH 10PG	300X225
DTSRH 11PG	300X150
DTSRH 12PG	300X100
DTSRH 13PG	300X75
DTSRH 14PG	300X50
DTSRH 15PG	450X300
DTSRH 16PG	450X225
DTSRH 17PG	450X150
DTSRH 18PG	450X100
DTSRH 19PG	450X75
DTSRH 20PG	450X50
DTSRH 21PG	600X450
DTSRH 22PG	600X300
DTSRH 23PG	600X225
DTSRH 24PG	600X150
DTSRH 25PG	600X100
DTSRH 26PG	600X75
DTSRH 27PG	600X50
DTSRH 28PG	750X600
DTSRH 29PG	750X450
DTSRH 30PG	750X300
DTSRH 31PG	750X225
DTSRH 32PG	750X150
DTSRH 33PG	750X100
DTSRH 34PG	750X75
DTSRH 35PG	750X50
DTSRH 36PG	900X750
DTSRH 37PG	900X600
DTSRH 38PG	900X450
DTSRH 39PG	900X300
DTSRH 40PG	900X225
DTSRH 41PG	900X150
DTSRH 42PG	900X100
DTSRH 43PG	900X75
DTSRH 44PG	900X50



Metal Cable Tray System - Heavy Duty Return Flange



STRAIGHT COUPLER

Item code	Height (mm)
DTSCH 0PG	50



CRANK/WRAP OVER COUPLER

Item code	Height (mm)
DTCCH 0PG	50



FISH PLATE

Item code	Width (mm)
DTFPH 0PG	50
DTFPH 1PG	75
DTFPH 2PG	100
DTFPH 3PG	150
DTFPH 4PG	225
DTFPH 5PG	300
DTFPH 6PG	450
DTFPH 7PG	600
DTFPH 8PG	750
DTFPH 9PG	900

NOTE : Support and Suspension System for Cable Tray is available upon request



Metal Cable Tray System - Medium Duty Return Flange

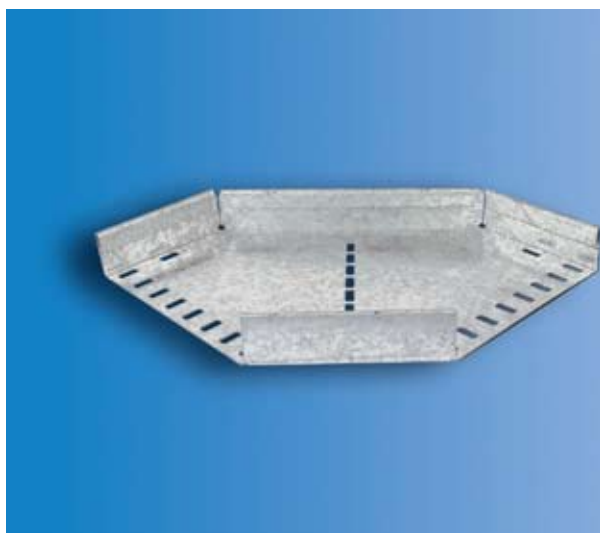
Standard Length : 3.0 metres

Standard Flange Height : 25mm



CABLE TRAY

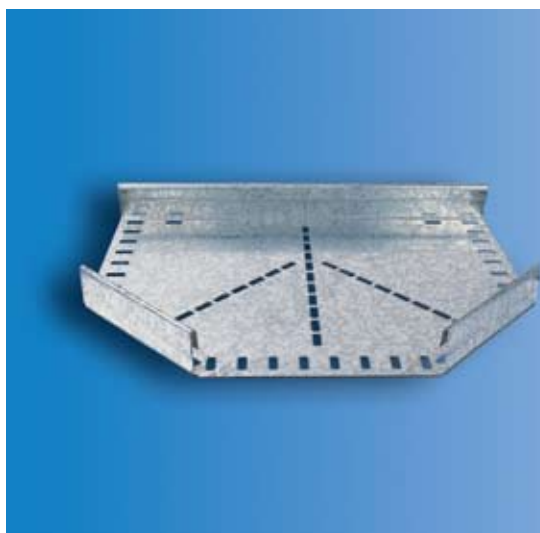
Item code	Width (mm)	Thickness (mm)
DTM 0PG	50	1.0
DTM 1PG	75	1.0
DTM 2PG	100	1.0
DTM 3PG	150	1.0
DTM 4PG	225	1.0
DTM 5PG	300	1.0
DTM 6PG	450	1.5
DTM 7PG	600	1.5
DTM 8PG	750	1.5
DTM 9PG	900	1.5



FLAT BEND 90°

Item code	Width (mm)
DTFB90M 0PG	50
DTFB90M 1PG	75
DTFB90M 2PG	100
DTFB90M 3PG	150
DTFB90M 4PG	225
DTFB90M 5PG	300
DTFB90M 6PG	450
DTFB90M 7PG	600
DTFB90M 8PG	750
DTFB90M 9PG	900

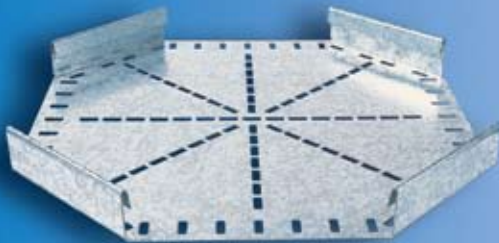
• For 30°, 45° & 60°, replace '90' by '30', '45', '60' respectively in item code



EQUAL TEE

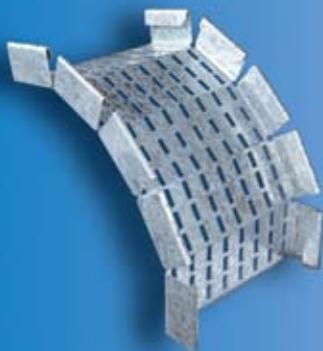
Item code	Width (mm)
DTETM 0PG	50
DTETM 1PG	75
DTETM 2PG	100
DTETM 3PG	150
DTETM 4PG	225
DTETM 5PG	300
DTETM 6PG	450
DTETM 7PG	600
DTETM 8PG	750
DTETM 9PG	900

Metal Cable Tray System - Medium Duty Return Flange



EQUAL CROSSOVER

Item code	Width (mm)
DTEXM 0PG	50
DTEXM 1PG	75
DTEXM 2PG	100
DTEXM 3PG	150
DTEXM 4PG	225
DTEXM 5PG	300
DTEXM 6PG	450
DTEXM 7PG	600
DTEXM 8PG	750
DTEXM 9PG	900



OUTSIDE RISER 90°

Item code	Width (mm)
DTOR90M 0PG	50
DTOR90M 1PG	75
DTOR90M 2PG	100
DTOR90M 3PG	150
DTOR90M 4PG	225
DTOR90M 5PG	300
DTOR90M 6PG	450
DTOR90M 7PG	600
DTOR90M 8PG	750
DTOR90M 9PG	900

• For 30°, 45° & 60°, replace '90°' by '30°', '45°', '60°' respectively in item code



INSIDE RISER 90°

Item code	Width (mm)
DTIR90M 0PG	50
DTIR90M 1PG	75
DTIR90M 2PG	100
DTIR90M 3PG	150
DTIR90M 4PG	225
DTIR90M 5PG	300
DTIR90M 6PG	450
DTIR90M 7PG	600
DTIR90M 8PG	750
DTIR90M 9PG	900

• For 30°, 45° & 60°, replace '90°' by '30°', '45°', '60°' respectively in item code



Standard Flange Height : 25mm

STRAIGHT REDUCER

Item code	Width (mm)
DTSRM 0PG	75X50
DTSRM 1PG	100X75
DTSRM 2PG	100X50
DTSRM 3PG	150X100
DTSRM 4PG	150X75
DTSRM 5PG	150X50
DTSRM 6PG	225X150
DTSRM 7PG	225X100
DTSRM 8PG	225X75
DTSRM 9PG	225X50
DTSRM 10PG	300X225
DTSRM 11PG	300X150
DTSRM 12PG	300X100
DTSRM 13PG	300X75
DTSRM 14PG	300X50
DTSRM 15PG	450X300
DTSRM 16PG	450X225
DTSRM 17PG	450X150
DTSRM 18PG	450X100
DTSRM 19PG	450X75
DTSRM 20PG	450X50
DTSRM 21PG	600X450
DTSRM 22PG	600X300
DTSRM 23PG	600X225
DTSRM 24PG	600X150
DTSRM 25PG	600X100
DTSRM 26PG	600X75
DTSRM 27PG	600X50
DTSRM 28PG	750X600
DTSRM 29PG	750X450
DTSRM 30PG	750X300
DTSRM 31PG	750X225
DTSRM 32PG	750X150
DTSRM 33PG	750X100
DTSRM 34PG	750X75
DTSRM 35PG	750X50
DTSRM 36PG	900X750
DTSRM 37PG	900X600
DTSRM 38PG	900X450
DTSRM 39PG	900X300
DTSRM 40PG	900X225
DTSRM 41PG	900X150
DTSRM 42PG	900X100
DTSRM 43PG	900X75
DTSRM 44PG	900X50





STRAIGHT COUPLER

Item code	Height (mm)
DTSCM 0PG	25



CRANK/WRAP OVER COUPLER

Item code	Height (mm)
DTCCM 0PG	25



FISH PLATE

Item code	Width (mm)
DTFPM 0PG	50
DTFPM 1PG	75
DTFPM 2PG	100
DTFPM 3PG	150
DTFPM 4PG	225
DTFPM 5PG	300
DTFPM 6PG	450
DTFPM 7PG	600
DTFPM 8PG	750
DTFPM 9PG	900

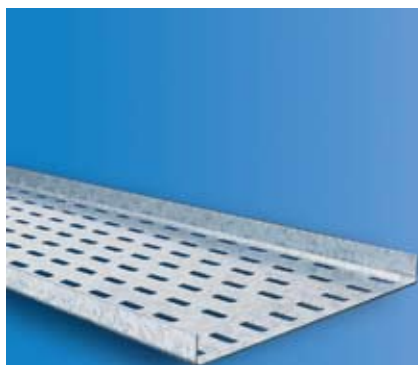
NOTE : Support and Suspension System for Cable Tray is available upon request



Metal Cable Tray System - Light Duty Vertical Flange

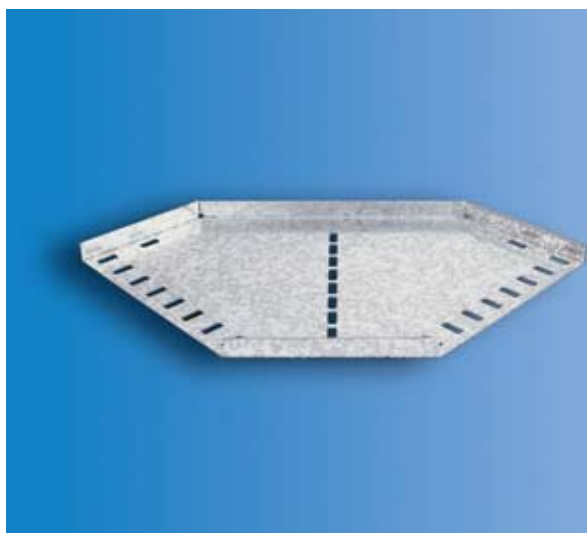
Standard Length : 3.0 metres

Standard Flange Height : 20mm



CABLE TRAY

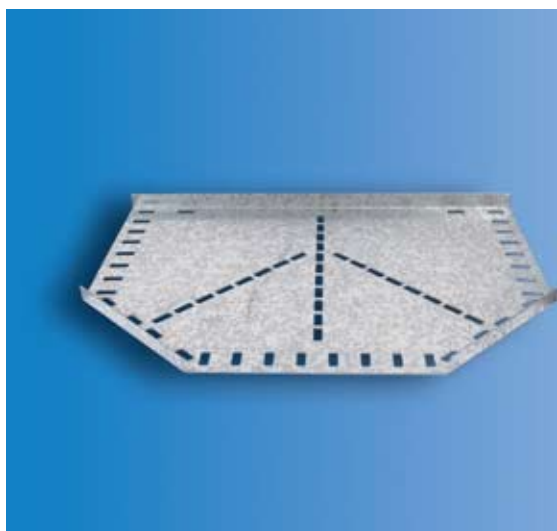
Item code	Width (mm)	Thickness (mm)
DTL 0PG	50	1.0
DTL 1PG	75	1.0
DTL 2PG	100	1.0
DTL 3PG	150	1.0
DTL 4PG	225	1.0
DTL 5PG	300	1.0
DTL 6PG	450	1.5
DTL 7PG	600	1.5
DTL 8PG	750	1.5
DTL 9PG	900	1.5



FLAT BEND 90°

Item code	Width (mm)
DTFB90L 0PG	50
DTFB90L 1PG	75
DTFB90L 2PG	100
DTFB90L 3PG	150
DTFB90L 4PG	225
DTFB90L 5PG	300
DTFB90L 6PG	450
DTFB90L 7PG	600
DTFB90L 8PG	750
DTFB90L 9PG	900

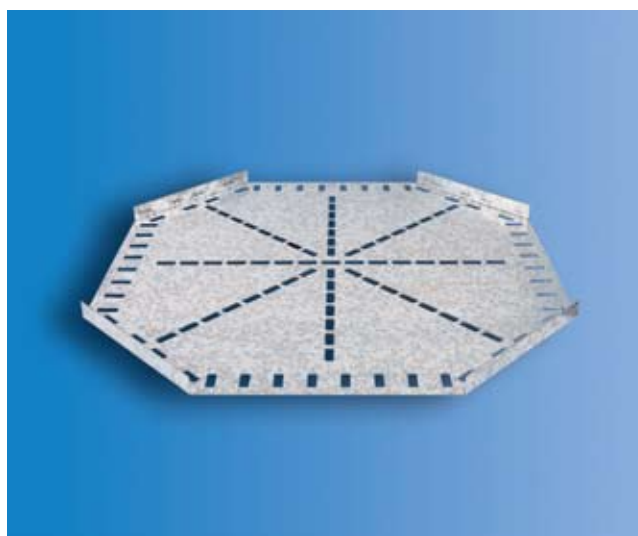
• For 30°, 45° & 60°, replace '90' by '30', '45', '60' respectively in item code



EQUAL TEE

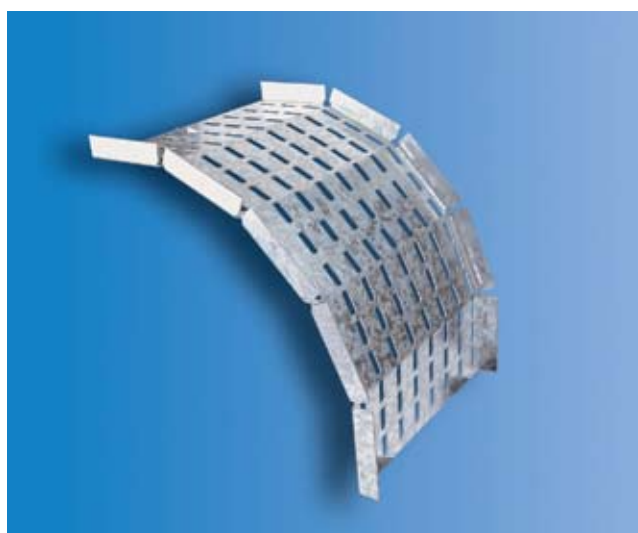
Item code	Width (mm)
DTFB90L 0PG	50
DTFB90L 1PG	75
DTFB90L 2PG	100
DTFB90L 3PG	150
DTFB90L 4PG	225
DTFB90L 5PG	300
DTFB90L 6PG	450
DTFB90L 7PG	600
DTFB90L 8PG	750
DTFB90L 9PG	900

Metal Cable Tray System - Light Duty Vertical Flange



EQUAL CROSSOVER

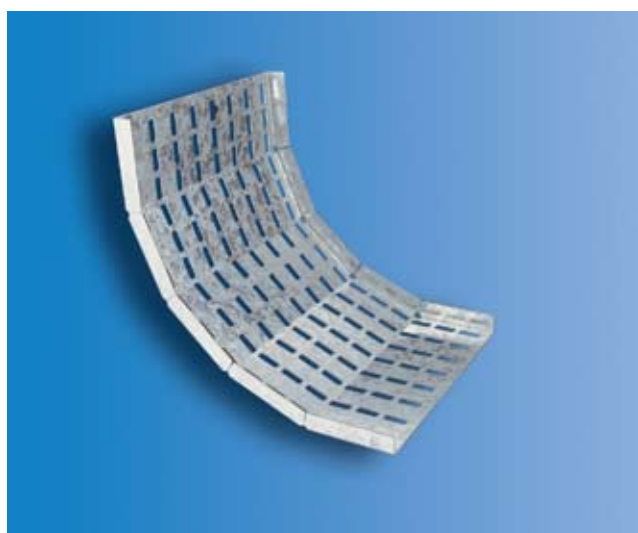
Item code	Width (mm)
DTEXL 0PG	50
DTEXL 1PG	75
DTEXL 2PG	100
DTEXL 3PG	150
DTEXL 4PG	225
DTEXL 5PG	300
DTEXL 6PG	450
DTEXL 7PG	600
DTEXL 8PG	750
DTEXL 9PG	900



OUTSIDE RISER 90°

Item code	Width (mm)
DTOR90L 0PG	50
DTOR90L 1PG	75
DTOR90L 2PG	100
DTOR90L 3PG	150
DTOR90L 4PG	225
DTOR90L 5PG	300
DTOR90L 6PG	450
DTOR90L 7PG	600
DTOR90L 8PG	750
DTOR90L 9PG	900

• For 30°, 45° & 60°, replace '90' by '30', '45', '60' respectively in item code



INSIDE RISER 90°

Item code	Width (mm)
DTIR90L 0PG	50
DTIR90L 1PG	75
DTIR90L 2PG	100
DTIR90L 3PG	150
DTIR90L 4PG	225
DTIR90L 5PG	300
DTIR90L 6PG	450
DTIR90L 7PG	600
DTIR90L 8PG	750
DTIR90L 9PG	900

• For 30°, 45° & 60°, replace '90' by '30', '45', '60' respectively in item code



Standard Flange Height : 20mm

STRAIGHT REDUCER



Item code	Width (mm)
DTSRL 0PG	75X50
DTSRL 1PG	100X75
DTSRL 2PG	100X50
DTSRL 3PG	150X100
DTSRL 4PG	150X75
DTSRL 5PG	150X50
DTSRL 6PG	225X150
DTSRL 7PG	225X100
DTSRL 8PG	225X75
DTSRL 9PG	225X50
DTSRL 10PG	300X225
DTSRL 11PG	300X150
DTSRL 12PG	300X100
DTSRL 13PG	300X75
DTSRL 14PG	300X50
DTSRL 15PG	450X300
DTSRL 16PG	450X225
DTSRL 17PG	450X150
DTSRL 18PG	450X100
DTSRL 19PG	450X75
DTSRL 20PG	450X50
DTSRL 21PG	600X450
DTSRL 22PG	600X300
DTSRL 23PG	600X225
DTSRL 24PG	600X150
DTSRL 25PG	600X100
DTSRL 26PG	600X75
DTSRL 27PG	600X50
DTSRL 28PG	750X600
DTSRL 29PG	750X450
DTSRL 30PG	750X300
DTSRL 31PG	750X225
DTSRL 32PG	750X150
DTSRL 33PG	750X100
DTSRL 34PG	750X75
DTSRL 35PG	750X50
DTSRL 36PG	900X750
DTSRL 37PG	900X600
DTSRL 38PG	900X450
DTSRL 39PG	900X300
DTSRL 40PG	900X225
DTSRL 41PG	900X150
DTSRL 42PG	900X100
DTSRL 43PG	900X75
DTSRL 44PG	900X50



STRAIGHT COUPLER

Item code	Height (mm)
DTSCCL 0PG	20



CRANK/WRAP OVER COUPLER

Item code	Height (mm)
DTCCCL 0PG	20



FISH PLATE

Item code	Width (mm)
DTFPL 0PG	50
DTFPL 1PG	75
DTFPL 2PG	100
DTFPL 3PG	150
DTFPL 4PG	225
DTFPL 5PG	300
DTFPL 6PG	450
DTFPL 7PG	600
DTFPL 8PG	750
DTFPL 9PG	900

®

DECODUCT



MANUFACTURED IN ACCORDANCE WITH
BRITISH STANDARDS

Ladders & Accessories : BS EN 10143
BS EN 1461 : 1999
BS 1449 Part 1

CODING SYSTEM FOR CABLE LADDERS

D L - H 0 PG

D : Decoduct

L : Ladder (Cable Ladder)

- : Product accessory code, if any
Eg.: 'EX' for Equal Crossover
Or 'ET' for Equal Tee
Or 'IR90' for Inside Riser 90°

H : Duty
H-Heavy
M-Medium
L-Light

0 : Size code as in catalogue

PG : Suffix for Pre-Galvanised

Suffix options :
G - Hot Dip Galvanised (after manufacturing)
SS - Stainless Steel
EC - Epoxy Coated
PL - PVC Laminated

Note: Actual product design features may vary for improvements.

METAL CABLE LADDER SYSTEM





Metal Cable Ladder System - Heavy Duty

Standard Length : 3.0 metres
Standard Flange Height : 125mm

Rung Thickness : 1.5mm



CABLE LADDER

Item code	Width (mm)	Thickness(mm)
DLH 0PG	100	1.5
DLH 1PG	150	1.5
DLH 2PG	225	1.5
DLH 3PG	300	1.5
DLH 4PG	450	2.0
DLH 5PG	600	2.0
DLH 6PG	750	2.0
DLH 7PG	900	2.0



FLAT BEND 90°

Item code	Width (mm)	Thickness(mm)
DLFB90H 0PG	100	1.5
DLFB90H 1PG	150	1.5
DLFB90H 2PG	225	1.5
DLFB90H 3PG	300	1.5
DLFB90H 4PG	450	2.0
DLFB90H 5PG	600	2.0
DLFB90H 6PG	750	2.0
DLFB90H 7PG	900	2.0

• For 30°, 45° & 60°, replace '90°' by '30°', '45°', '60°' respectively in item code



EQUAL TEE

Item code	Width (mm)	Thickness(mm)
DLETH 0PG	100	1.5
DLETH 1PG	150	1.5
DLETH 2PG	225	1.5
DLETH 3PG	300	1.5
DLETH 4PG	450	2.0
DLETH 5PG	600	2.0
DLETH 6PG	750	2.0
DLETH 7PG	900	2.0

Metal Cable Ladder System - Heavy Duty

UNEQUAL TEE



Item code	Size (mm)	Item code	Size (mm)
DLUTH 0PG	150 X 100	DLUTH 14PG	600 X 100
DLUTH 1PG	225 X 150	DLUTH 15PG	750 X 600
DLUTH 2PG	225 X 100	DLUTH 16PG	750 X 450
DLUTH 3PG	300 X 225	DLUTH 17PG	750 X 300
DLUTH 4PG	300 X 150	DLUTH 18PG	750 X 225
DLUTH 5PG	300 X 100	DLUTH 19PG	750 X 150
DLUTH 6PG	450 X 300	DLUTH 20PG	750 X 100
DLUTH 7PG	450 X 225	DLUTH 21PG	900 X 750
DLUTH 8PG	450 X 150	DLUTH 22PG	900 X 600
DLUTH 9PG	450 X 100	DLUTH 23PG	900 X 450
DLUTH 10PG	600 X 450	DLUTH 24PG	900 X 300
DLUTH 11PG	600 X 300	DLUTH 25PG	900 X 225
DLUTH 12PG	600 X 225	DLUTH 26PG	900 X 150
DLUTH 13PG	600 X 150	DLUTH 27PG	900 X 100

EQUAL CROSSOVER



Item code	Width (mm)	Thickness(mm)
DLEXH 0PG	100	1.5
DLEXH 1PG	150	1.5
DLEXH 2PG	225	1.5
DLEXH 3PG	300	1.5
DLEXH 4PG	450	2.0
DLEXH 5PG	600	2.0
DLEXH 6PG	750	2.0
DLEXH 7PG	900	2.0

OUTSIDE RISER 90°



Item code	Width (mm)	Thickness(mm)
DLOR90H 0PG	100	1.5
DLOR90H 1PG	150	1.5
DLOR90H 2PG	225	1.5
DLOR90H 3PG	300	1.5
DLOR90H 4PG	450	2.0
DLOR90H 5PG	600	2.0
DLOR90H 6PG	750	2.0
DLOR90H 7PG	900	2.0

• For 30°, 45° & 60°, replace '90°' by '30°', '45°', '60°' respectively in item code



Metal Cable Ladder System - Heavy Duty

Standard Flange Height : 125mm

Rung Thickness : 1.5mm



INSIDE RISER 90°

Item code	Width (mm)	Thickness (mm)
DLIR90H 0PG	100	1.5
DLIR90H 1PG	150	1.5
DLIR90H 2PG	225	1.5
DLIR90H 3PG	300	1.5
DLIR90H 4PG	450	2.0
DLIR90H 5PG	600	2.0
DLIR90H 6PG	750	2.0
DLIR90H 7PG	900	2.0

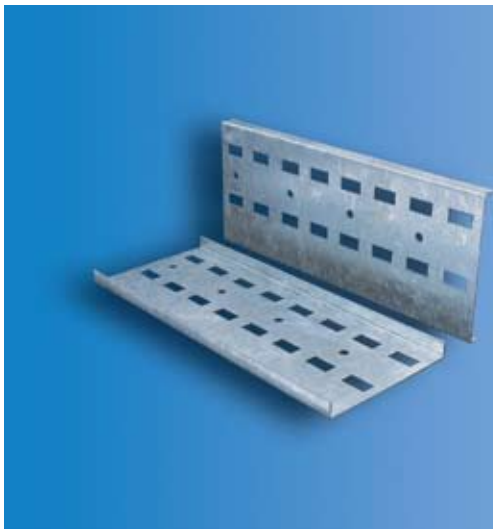
• For 30°, 45° & 60°, replace '90°' by '30°', '45°', '60°' respectively in item code



STRAIGHT REDUCER

Item code	Size (mm)	Item code	Size (mm)
DLSRH 0PG	150 X 100	DLSRH 14PG	600 X 100
DLSRH 1PG	225 X 150	DLSRH 15PG	750 X 600
DLSRH 2PG	225 X 100	DLSRH 16PG	750 X 450
DLSRH 3PG	300 X 225	DLSRH 17PG	750 X 300
DLSRH 4PG	300 X 150	DLSRH 18PG	750 X 225
DLSRH 5PG	300 X 100	DLSRH 19PG	750 X 150
DLSRH 6PG	450 X 300	DLSRH 20PG	750 X 100
DLSRH 7PG	450 X 225	DLSRH 21PG	900 X 750
DLSRH 8PG	450 X 150	DLSRH 22PG	900 X 600
DLSRH 9PG	450 X 100	DLSRH 23PG	900 X 450
DLSRH 10PG	600 X 450	DLSRH 24PG	900 X 300
DLSRH 11PG	600 X 300	DLSRH 25PG	900 X 225
DLSRH 12PG	600 X 225	DLSRH 26PG	900 X 150
DLSRH 13PG	600 X 150	DLSRH 27PG	900 X 100

Left hand & right hand reducers available on order. For left hand reducer replace SR by LR. For right hand reducer replace SR by RR



COUPLER

Item code	Height (mm)
DLCH 0PG	125

NOTE : For medium duty cable ladders and accessories, replace H in all item codes by M.
Standard Height : 100mm Rung Thickness : 1.5mm

Metal Cable Ladder System - Light Duty

Standard Length : 3.0 metres
Standard Flange Height : 55mm

Rung Thickness : 1.5mm



CABLE LADDER

Item code	Width (mm)	Thickness(mm)
DLL 0PG	100	1.0
DLL 1PG	150	1.0
DLL 2PG	225	1.0
DLL 3PG	300	1.0
DLL 4PG	450	1.2
DLL 5PG	600	1.2
DLL 6PG	750	1.2
DLL 7PG	900	1.2



FLAT BEND 90°

Item code	Width (mm)	Thickness(mm)
DLFB90L 0PG	100	1.0
DLFB90L 1PG	150	1.0
DLFB90L 2PG	225	1.0
DLFB90L 3PG	300	1.0
DLFB90L 4PG	450	1.2
DLFB90L 5PG	600	1.2
DLFB90L 6PG	750	1.2
DLFB90L 7PG	900	1.2

• For 30°, 45° & 60°, replace '90°' by '30°', '45°', '60°' respectively in item code



EQUAL TEE

Item code	Width (mm)	Thickness(mm)
DLETL 0PG	100	1.0
DLETL 1PG	150	1.0
DLETL 2PG	225	1.0
DLETL 3PG	300	1.0
DLETL 4PG	450	1.2
DLETL 5PG	600	1.2
DLETL 6PG	750	1.2
DLETL 7PG	900	1.2



Metal Cable Ladder System - Light Duty

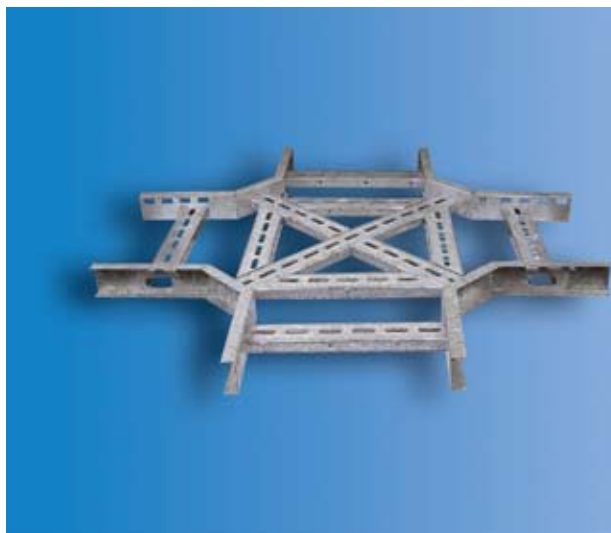
Standard Flange Height : 55mm
Rung Thickness : 1.5mm

UNEQUAL TEE



Item code	Size (mm)	Item code	Size (mm)
DLUTL 0PG	150 X 100	DLUTL 14PG	600 X 100
DLUTL 1PG	225 X 150	DLUTL 15PG	750 X 600
DLUTL 2PG	225 X 100	DLUTL 16PG	750 X 450
DLUTL 3PG	300 X 225	DLUTL 17PG	750 X 300
DLUTL 4PG	300 X 150	DLUTL 18PG	750 X 225
DLUTL 5PG	300 X 100	DLUTL 19PG	750 X 150
DLUTL 6PG	450 X 300	DLUTL 20PG	750 X 100
DLUTL 7PG	450 X 225	DLUTL 21PG	900 X 750
DLUTL 8PG	450 X 150	DLUTL 22PG	900 X 600
DLUTL 9PG	450 X 100	DLUTL 23PG	900 X 450
DLUTL 10PG	600 X 450	DLUTL 24PG	900 X 300
DLUTL 11PG	600 X 300	DLUTL 25PG	900 X 225
DLUTL 12PG	600 X 225	DLUTL 26PG	900 X 150
DLUTL 13PG	600 X 150	DLUTL 27PG	900 X 100

EQUAL CROSS OVER



Item code	Width (mm)	Thickness(mm)
DLEXL 0PG	100	1.0
DLEXL 1PG	150	1.0
DLEXL 2PG	225	1.0
DLEXL 3PG	300	1.0
DLEXL 4PG	450	1.2
DLEXL 5PG	600	1.2
DLEXL 6PG	750	1.2
DLEXL 7PG	900	1.2

OUTSIDE RISER 90°



Item code	Width (mm)	Thickness(mm)
DLOR90L 0PG	100	1.0
DLOR90L 1PG	150	1.0
DLOR90L 2PG	225	1.0
DLOR90L 3PG	300	1.0
DLOR90L 4PG	450	1.2
DLOR90L 5PG	600	1.2
DLOR90L 6PG	750	1.2
DLOR90L 7PG	900	1.2

• For 30°, 45° & 60°, replace '90°' by '30°', '45°', '60°' respectively in item code

Metal Cable Ladder System - Light Duty



INSIDE RISER 90⁰

Item code	Width (mm)	Thickness(mm)
DLIR90L 0PG	100	1.0
DLIR90L 1PG	150	1.0
DLIR90L 2PG	225	1.0
DLIR90L 3PG	300	1.0
DLIR90L 4PG	450	1.2
DLIR90L 5PG	600	1.2
DLIR90L 6PG	750	1.2
DLIR90L 7PG	900	1.2

• For 30⁰, 45⁰ & 60⁰, replace '90' by '30','45', '60' respectively in item code



STRAIGHT REDUCER

Item code	Size (mm)	Item code	Size (mm)
DLSRL 0PG	150 X 100	DLSRL 14PG	600 X 100
DLSRL 1PG	225 X 150	DLSRL 15PG	750 X 600
DLSRL 2PG	225 X 100	DLSRL 16PG	750 X 450
DLSRL 3PG	300 X 225	DLSRL 17PG	750 X 300
DLSRL 4PG	300 X 150	DLSRL 18PG	750 X 225
DLSRL 5PG	300 X 100	DLSRL 19PG	750 X 150
DLSRL 6PG	450 X 300	DLSRL 20PG	750 X 100
DLSRL 7PG	450 X 225	DLSRL 21PG	900 X 750
DLSRL 8PG	450 X 150	DLSRL 22PG	900 X 600
DLSRL 9PG	450 X 100	DLSRL 23PG	900 X 450
DLSRL 10PG	600 X 450	DLSRL 24PG	900 X 300
DLSRL 11PG	600 X 300	DLSRL 25PG	900 X 225
DLSRL 12PG	600 X 225	DLSRL 26PG	900 X 150
DLSRL 13PG	600 X 150	DLSRL 27PG	900 X 100

Left hand & right hand reducers available on order. For left hand reducer replace SR by LR. For right hand reducer replace SR by RR.



COUPLER

Item code	Height (mm)
DLCL 0PG	55

NOTE : Support and Suspension System for Cable Ladder is available upon request

®

DECODUCT



CODING SYSTEM FOR SUPPORT SYSTEM

D C/B I - 0 PG

D : Decoduct

C : Channel/Bracket

I : Metal

0 : Size code as in catalogue

PG : Suffix for Pre-Galvanised

Suffix options :

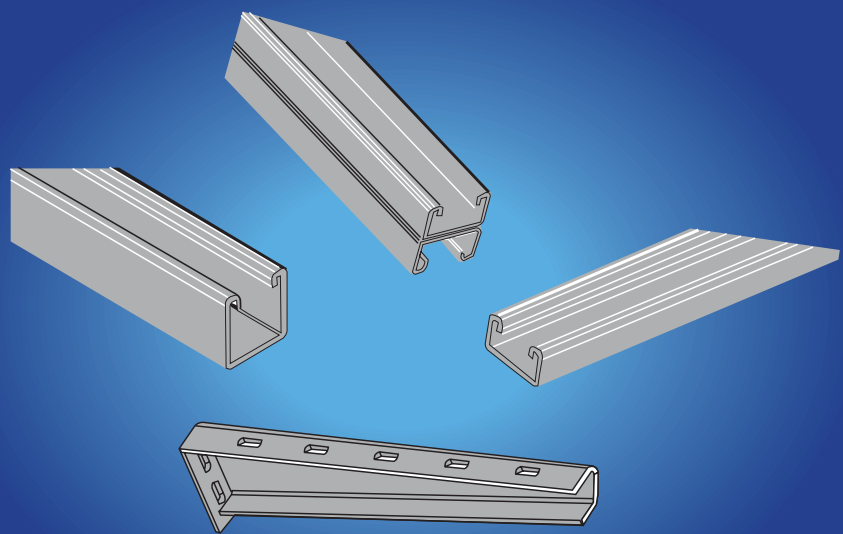
G - Hot Dip Galvanised (after manufacturing)

SS - Stainless Steel

EC - Epoxy Coated

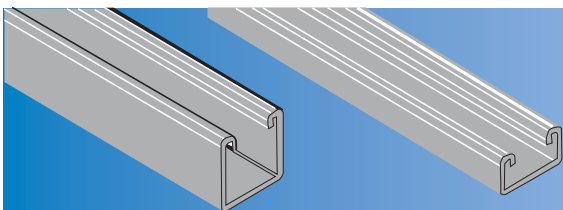
PL - PVC Laminated

SUPPORT SYSTEM





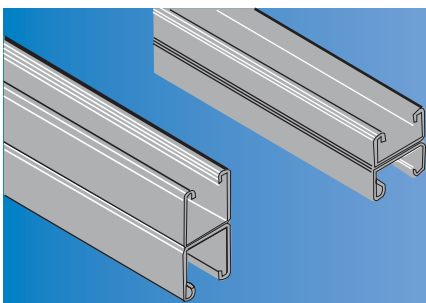
Support System - Channel/Bracket



SINGLE CHANNEL

Item code	Size (mm)
DCI 0PG	41 x 41 x 2.0
DCI 1PG	41 x 41 x 2.5
DCI 2PG	41 x 21 x 2.0
DCI 3PG	41 x 21 x 2.5

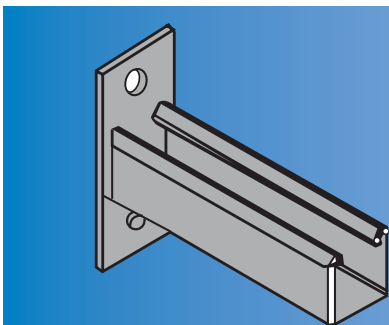
Standard length : 3 Metres



BACK TO BACK CHANNEL

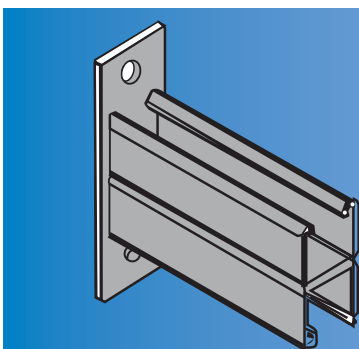
Item code	Size (mm)
DCI 4PG	41 x 41 x 2.0
DCI 5PG	41 x 41 x 2.5
DCI 6PG	41 x 21 x 2.0
DCI 7PG	41 x 21 x 2.5

Standard length : 3 Metres



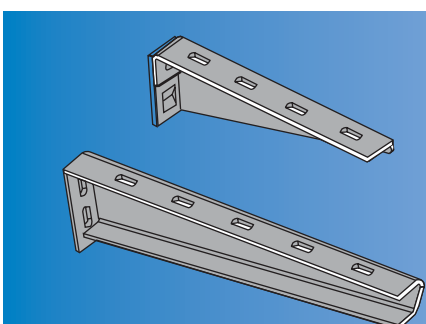
BRACKET (SINGLE CHANNEL WITH HEAD PLATE)

Item code	Size (mm)
DBI 0PG	41 x 41 x 2.0
DBI 1PG	41 x 41 x 2.5
DBI 2PG	41 x 21 x 2.0
DBI 3PG	41 x 21 x 2.5



BRACKET (BACK TO BACK CHANNEL WITH HEAD PLATE)

Item code	Size (mm)
DBI 4PG	41 x 41 x 2.0
DBI 5PG	41 x 41 x 2.5
DBI 6PG	41 x 21 x 2.0
DBI 7PG	41 x 21 x 2.5

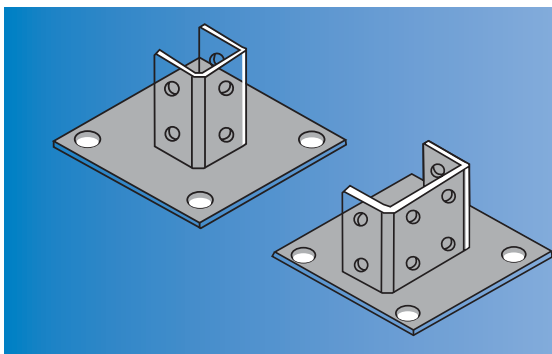


CANTILEVER BRACKET

Item code
DBCI 0PG
DBCI 1PG

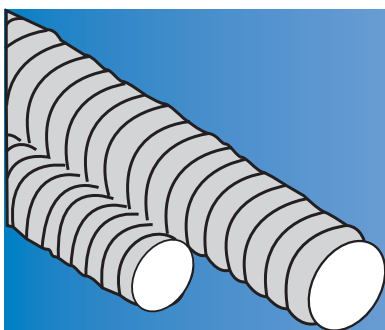
Note : Other accessories are available on request

Support System - Channel / Threaded Bar / Hardware



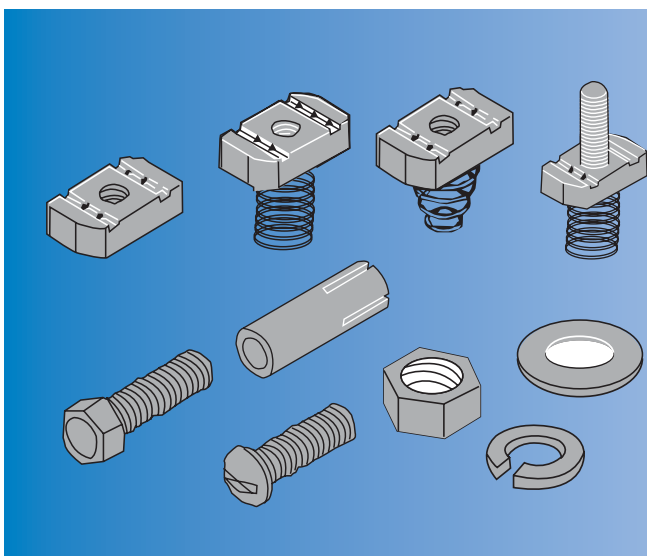
SUPPORT CHANNEL WITH HEAD PLATE

	Item code
Type - A	DCIH 0PG
Type - B	DCIH 1PG



THREADED BAR

Item code	Size (mm)
DCHTB 0	8
DCHTB 1	10



HARDWARE

Item	(8 mm)	(10 mm)
Slide Nut	DCHSN 0	DCHSN 1
Slide Nut With Spring	DCHSN 2	DCHSN 3
Slide Nut With Tapered Spring	DCHSN 4	DCHSN 5
Slide Nut With Spring & Threaded Pin)	DCHSN 6	DCHSN 7
Hex Bolt	DCHB 0	DCHB 1
Screw	DCHS 0	DCHS 1
Nut	DCHN 0	DCHN 1
Washer	DCHW 0	DCHW 1
Spring Washer	DCHSW 0	DCHSW 1
Spline (Coupler) Nut	DCHNS 0	DCHNS 1

NOTE : Other accessories are available on request



DECOBUCT[®]

TECHNICAL SPECIFICATIONS



Floor Distribution System - Raised Floor

Decoduct G.I. Raised floor Trunking systems provides flexibility and ease of working during installation. Multi service two and three compartment trunking is available for distribution of data and telecom services.

Decoduct Raised floor trunking is designed and developed keeping in mind consultant and contractor requirement of a durable practical and versatile solution for providing power and communication services in various commercial environment. Multi-service two and three compartment trunking is available for distribution of data and telecom services.

The trunking can be fully lidded to provide maximum protection of all data and telecom services.

Floor outlet boxes are available normally in a three module version. A steel reinforced snap in lid is recessed to accommodate a variety of floor finishes.

Overall depth of the Raised Floor outlet box varies with size of trunking

The service outlet module comes complete with 2 conduit knockout plates and 2 trunking entry plates. It can be used as a through terminal or conduit outlet plates to meet the increasing demands using adjustable dividing fillets in the base unit. Combination service outlet plates are also available as per clients specification.

Fabricated from 1.1mm galvanised steel, the service box comes with conduit knockout plates and trunking entry plates.

ABS/PVC lid is capable of withstanding heavy deflection loads due to a steel lid re-inforcement optimising strength & durability.

The self closing lid has a special locking feature. Specially designed cable entries provide safe cable access.

Standard length of trunking is 3 mtrs. Body and lid are normally manufactured from 1.5 mm galvanised steel to BS 2989. Division are manufactured from 1.2mm galvanised steel to BS 2989.

Floor Distribution System - Flush Floor

Decoduct Flush floor Trunking offers a flexible method of distributing services around an office / commercial network.

Decoduct Flush floor trunking is designed and developed keeping in mind consultant and contractor requirements of a durable practical and versatile solution for providing power and communication services in various commercial environment. Multi-service two and three compartment trunking is available for distribution of data and telecom services.

A service outlet module can be installed anywhere along its length, simply by removing a section of lid and dividers. The service outlet module is designed to replace a 500mm section of lid & supplied complete with dividers & a 6mm carpet recess. Available in options of either three or four dedicated outlet plates to meet the increasing demands using adjustable dividing fillets in the base unit. Combination service outlet plates are also available as per clients specification.

Fabricated from 1.1mm galvanised steel, the service box comes with conduit knockout plates and trunking entry plates.

ABS/PVC lid is capable of withstanding heavy deflection loads due to a steel lid re-inforcement optimising strength & durability.

The self closing lid has a special locking feature. Specially designed cable entries provide safe cable access.

Standard trunking length is 3 mtrs. Standard finishes are as follows:

Body – Manufactured from 1.5 mm galvanised steel to BS 2989

Divisions– Manufactured from 1.2 mm galvanised steel to BS 2989

Lid – Manufactured from 1.5 mm galvanised steel to BS 2989

Customer has option of choosing thickness upto 2mm



Metal Cable Tray System

Decoduct Cable Trays are supplied in standard length of 3 mtrs and incorporate a strategic design which facilitates use of both Cable ties as well as Cable clamps to hold the cables in place.

Decoduct Cable Trays may also be cut at any point along the 3 metre axis.

Decoduct Cable Trays have been tested for electrical continuity characteristics in accordance to the British standard for steel Cable systems for electrical installations and have been found to comply with the same, thus allowing these cable trays to be used as a bonding or earthing conductor.

Decoduct Cable Trays are supplied in Light Duty, Medium Duty and Heavy Duty ranges. Medium and heavy Duty ranges are supplied with return flanges.

Optionally, lids for the Cable trays can be supplied against customer requirement.

FINISHES

Pre-Galvanised

Decoduct Cable Trays can be supplied from galvanised steel to BS 2989 : 1992 (or latest BSEN 10143). Average coating thickness is 275 gms/m² and gives excellent corrosion protection with a smooth even coating finish usually suited for applications under normal atmospheric conditions or near dry indoor conditions.

Hot Dip Galvanised

Decoduct Cable Trays can be supplied by Hot Dip Galvanising to BS729:1971 (or latest BSEN 1461: 1999) after shearing and punching operations are carried out on the substrate steel sheet to BS 1449 Part 1.

These Cable Trays are more suitable for harsher and more exposed exterior conditions, since the average coating thickness ranges from 335 – 460 gms/m² depending on the base material thickness which ranges from 1.0 mm to 2.0 mm.

Metal Cable Tray System

Epoxy Coated

Decoduct Cable Trays can be supplied epoxy powder coated through an electrostatic system which provides a uniform coating of epoxy. These Cable Trays are suitable for conditions of high humidity, acids, alkali and organic solvents. The coating will not support combustion or emit toxic fumes. Suitable colour is Grey, however, other colours can be provided on request.

PVC Laminated

Decoduct Cable Trays can also be supplied PVC laminated, which is essentially plastic coating of the product. These Cable Trays are suitable for harsh environment conditions.

Stainless Steel

Decoduct Cable Trays can also be supplied in stainless steel SS316 and SS304 which are suitable for aggressive conditions such as marine and offshore. These Cable Trays also have very good corrosion resistance to alkaline solutions. Another advantage is that these Cable Trays can be easily cleaned.



Metal Cable Ladder System

Decoduct Cable ladders are supplied in standard length of 3 mtrs and available in Light Duty, Medium Duty and Heavy Duty ranges

Light Duty range comes complete with an integral coupling system and has a cable laying depth of 30 mm

Medium Duty range comes with side rails and rungs with safety edges and has a cable laying depth of 70 mm.

Heavy Duty range also comes with side rails and rungs with safety edges and has a cable laying depth of 95 mm.

Decoduct cable ladder systems incorporate slotted side rails to allow the coupling of straight lengths or accessories without the need for drilling additional holes. This reduces installation time, makes the system safer to handle and prevents cables from damage.

Decoduct cable ladder systems have a comprehensive purpose designed range of accessories incorporating all the latest features demanded by installation contractors and their clients.

Optionally, lids for the Cable ladders can be supplied against customer requirement.

FINISHES

Pre-Galvanised

Decoduct Cable Ladders can be supplied from galvanised steel to BS 2989 : 1992 (or latest BSEN 10143). Average coating thickness is 275 gms/m² and gives excellent corrosion protection with a smooth even coating finish usually suited for applications under normal atmospheric conditions or near dry indoor conditions.

Hot Dip Galvanised

Decoduct Cable Ladders can be supplied by Hot Dip Galvanising to BS729:1971 (or latest BSEN 1461: 1999) after shearing, punching and other operations are carried out on the substrate steel sheet to BS 1449 Part 1.

These Cable Ladders are more suitable for harsher and more exposed exterior conditions, since the average coating thickness ranges from 335 – 460 gms/m² depending on the base material thickness which ranges from 1.0 mm to 2.0 mm.

Metal Cable Ladder System

Epoxy Coated

Decoduct Cable Ladders can be supplied epoxy powder coated through an electrostatic system which provides a uniform coating of epoxy. These Cable Ladders are suitable for conditions of high humidity, acids, alkali and organic solvents. The coating will not support combustion or emit toxic fumes. Suitable colour is Grey, however, other colours can be provided on request.

PVC Laminated

Decoduct Cable Ladders can also be supplied PVC laminated, which is essentially plastic coating of the product. These Cable Ladders are suitable for harsh environment conditions.

Stainless Steel

Decoduct Cable Ladders can also be supplied in stainless steel SS316 and SS304 which are suitable for aggressive conditions such as marine and offshore. These Cable Ladders also have very good corrosion resistance to alkaline solutions. Another advantage is that these Cable Ladders can be easily cleaned.



Metal Trunking System

Decoduct G. I. Return Edge Cable Trunking system complies with BS4678 :part 1:1971 Class III and is manufactured from Hot Dip Galvanised Steel to BSEN 10142 and BSEN 10143, which provides excellent protection against corrosion.

Decoduct G. I. Cable Trunking System is fast and easy to install with an easy fastening system and has increased strength and rigidity because of smooth return edges.

Bodies and fittings are available with 1, 2 or 3 compartments in a wide range of widths and heights. Unless otherwise requested, these will be supplied with equal compartments.

Cable Trunking Capacity

TRUNKING CAPACITY FACTOR	TRUNKING SIZE mm x mm	CONDUCTOR SIZE mm ²												
		SOLID		STRANDED CABLES										
		1.5	2.5	1.5	2.5	4	6	10	16	25	35	50	70	95
1037	50 x 50	146	101	128	90	68	45	28	20	13	10	7	5	4
1555	75 x 50	219	152	191	136	102	67	42	30	20	16	11	8	6
2371	75 x 75	333	232	292	207	155	103	65	47	31	24	17	13	10
2091	100 x 50	294	205	258	183	137	91	57	41	27	22	15	11	9
3189	100 x 75	449	312	393	279	209	139	87	63	42	33	24	18	14
4252	100 x 100	598	416	524	372	279	185	117	84	56	44	32	24	18
3162	150 x 50	445	310	390	277	208	138	87	62	41	33	23	17	13
4743	150 x 75	668	465	585	416	312	207	130	94	62	49	35	26	20
6394	150 x 100	900	626	789	560	420	279	176	127	84	67	48	36	28
9697	150 x 150	1365	950	1197	850	637	423	267	192	128	102	73	54	42
7166	225 x 75	1009	702	885	628	471	312	197	142	95	75	53	40	40
14652	225 x 150	2063	1436	1808	1285	963	639	403	291	194	154	110	82	82
CABLE CAPACITY FACTOR		7.1	10.2	8.1	11.4	15.2	22.9	36.3	50.3	75.4	95	133	177	177

The light shaded section of the table indicates the number of identical cables which can be installed in any size of trunking.

If mixed cables are being installed the maximum number can be derived using the dark shaded section of the table. For each size of cable multiply the number to be installed by its own Common factor. Add together the results of these calculations for all cable sizes. The Trunking Capacity Factory for the intended trunking size must be equal to or greater than this total.

Example :

$$50 \times 10.0\text{mm}^2 \text{ Stranded @ } 36.3 = 1815$$

$$30 \times 2.5\text{mm}^2 \text{ Solid @ } 10.2 = 306$$

$$2121$$

Trunking Capacity Factor for 100 x 50 = 2091 < 2121 hence, too small
 Trunking Capacity Factor for 75 x 75 = 2371 > 2121 hence, correct size



NOTES

A series of horizontal dashed lines for writing notes, spanning the width of the page.

NOTES



NOTES

NOTES

A series of horizontal dashed lines for taking notes.

IP DECODUCT®
CABLE MANAGEMENT SYSTEMS



IP EDISON®
ELECTRICAL ACCESSORIES



HEADQUARTERS
INTERPLAST CO.LTD.
P.O.Box: 4679, Sharjah, UAE
Tel: +971 6 5339090
Fax: +971 6 5336905
E-mail: intrplst@emirates.net.ae

INTERNATIONAL PLASTICS CENTRE LLC
P.O.Box: 270982, Riyadh 11352, Saudi Arabia
Tel: +966 1 4714667 / 4714773, Fax: +966 1 4714669
E-mail: ipc@atheer.net.sa

INTERPLAST UK.LTD.
15 High Street, Inverurie,
Aberdeenshire AB51 3QA
Tel: (+44) 01467 629555
Fax: (+44) 01467 672191
E-mail: sales@interplast.co.uk
www.interplast.co.uk

Web site: www.interplast.ae

Group
HARVAL
MANUFACTURING TECHNOLOGIES
www.harwal.net

Supplied by: