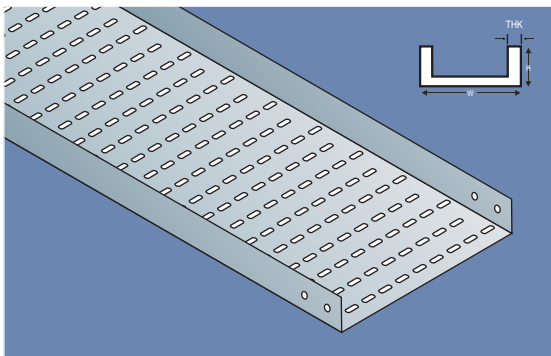
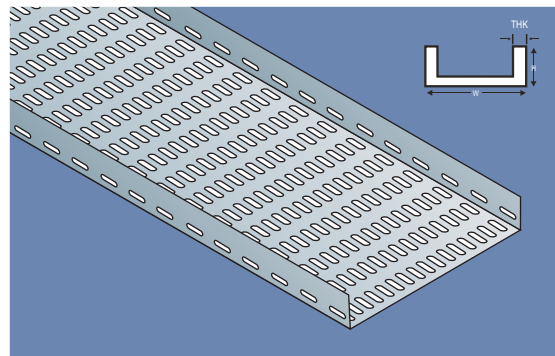


HEAVY DUTY STRAIGHT FLANGE CABLE TRAYS

TYPE -1



TYPE -2



STRAIGHT LENGTH & FITTINGS (mm)

Range / Width (W)	Thickness (T)	Height (H)
50 - 150	1.0	50/ 75 /100
225 - 300	1.2	50/ 75 /100
450 - 600	1.5	50/ 75 /100
750 - 900	2.0	50/ 75 /100

STANDARD FINISHES

HDG Hot Dip Galvanized to BSEN ISO 1461:1999 (Formerly BS 729).

PG Pre Galvanized to BSEN 10142 & 10143.

PC Powder Coating to suit client requirements.

SS Stainless Steel finish to required grades.

AI Aluminum finish.

ORDER PATTERN (mm)

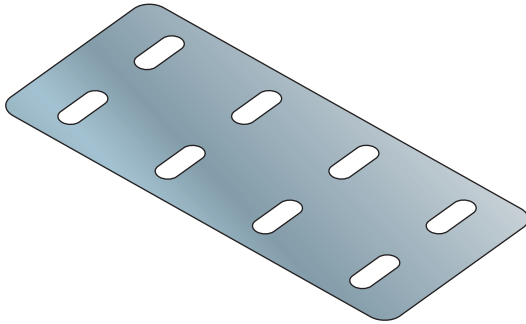
FLANGE	ITEM	WIDTH	FINISH	TYPE	THICKNESS
HDSF	CT	50	FINISH	1 / 2	THK
HDSF	CT	100	FINISH	1 / 2	THK
HDSF	CT	150	FINISH	1 / 2	THK
HDSF	CT	225	FINISH	1 / 2	THK
HDSF	CT	300	FINISH	1 / 2	THK
HDSF	CT	450	FINISH	1 / 2	THK
HDSF	CT	600	FINISH	1 / 2	THK
HDSF	CT	750	FINISH	1 / 2	THK
HDSF	CT	900	FINISH	1 / 2	THK

Heavy Duty Straight Flange Perforated Cable Trays are made in standard length of 3 mtrs. They can be produced in different lengths upon request.

Heavy Duty Straight Flange Perforated Cable Tray fittings are made to a standard radius of 300 mm. They can be produced in 450 mm, 600 mm & 900 mm as required.

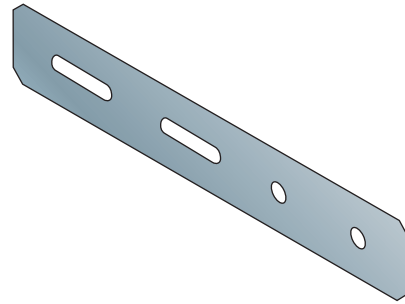
Note: Request for any special sizes, gauges and flanges can be attended by our qualified team.

CONNECTOR



FISH PLATE

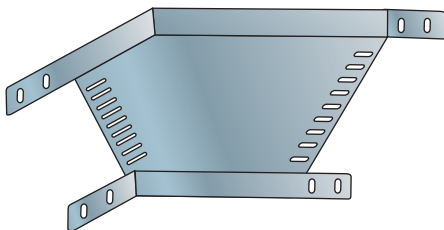
ORDER PATTERN (mm)				
TYPE	ITEM	WIDTH	FINISH	THK
HDSF	FP	50-300	FINISH	1.5
HDSF	FP	450-900	FINISH	2.0



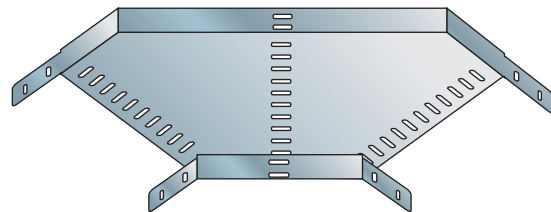
STRAIGHT COUPLER

ORDER PATTERN (mm)				
TYPE	ITEM	WIDTH	FINISH	THK
HDSF	SC	50-300	FINISH	1.5
HDSF	SC	450-900	FINISH	2.0

ELBOW HORIZONTAL



ELBOW 45°



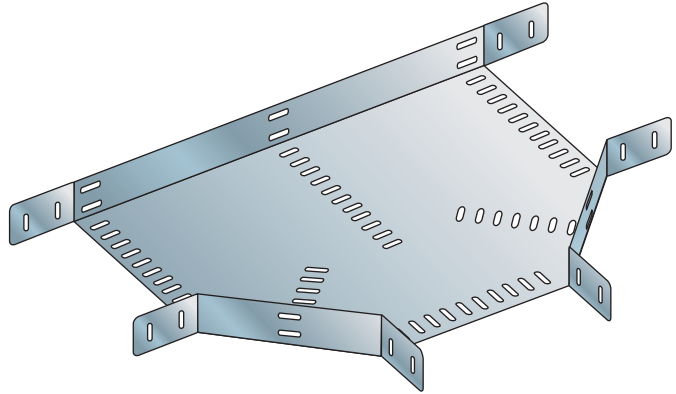
ELBOW 90°

ORDER PATTERN (mm)				
TYPE	ITEM	WIDTH	FINISH	THK
HDSF	EH 4/9	50	FINISH	THK
HDSF	EH 4/9	100	FINISH	THK
HDSF	EH 4/9	150	FINISH	THK
HDSF	EH 4/9	225	FINISH	THK
HDSF	EH 4/9	300	FINISH	THK
HDSF	EH 4/9	450	FINISH	THK
HDSF	EH 4/9	600	FINISH	THK
HDSF	EH 4/9	750	FINISH	THK
HDSF	EH 4/9	900	FINISH	THK

Note: Request for any special sizes, gauges and flanges can be attended by our qualified team.

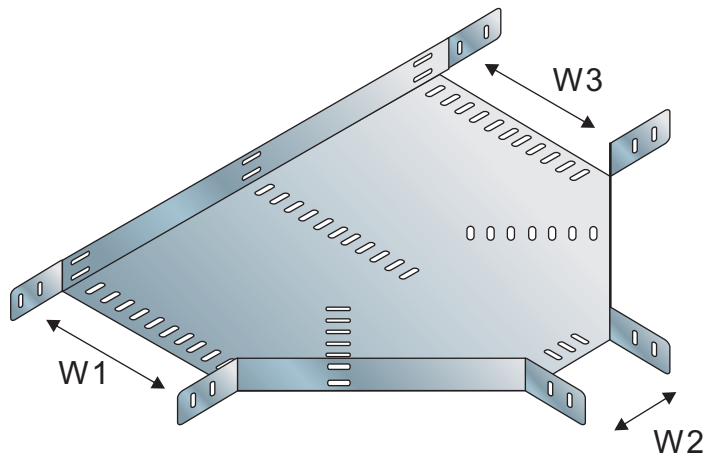
TEE HORIZONTAL

ORDER PATTERN (mm)				
TYPE	ITEM	WIDTH	FINISH	THK
HDSF	TH	50	FINISH	THK
HDSF	TH	100	FINISH	THK
HDSF	TH	150	FINISH	THK
HDSF	TH	225	FINISH	THK
HDSF	TH	300	FINISH	THK
HDSF	TH	450	FINISH	THK
HDSF	TH	600	FINISH	THK
HDSF	TH	750	FINISH	THK
HDSF	TH	900	FINISH	THK



UNEQUAL TEE HORIZONTAL

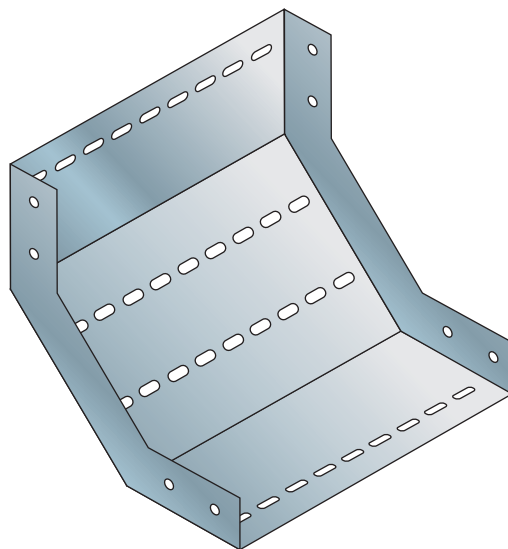
ORDER PATTERN (mm)				
TYPE	ITEM	WIDTH	FINISH	THK
HDSF	UTH	W1,W2,W3	FINISH	THK



Note: Request for any special sizes, gauges and flanges can be attended by our qualified team.

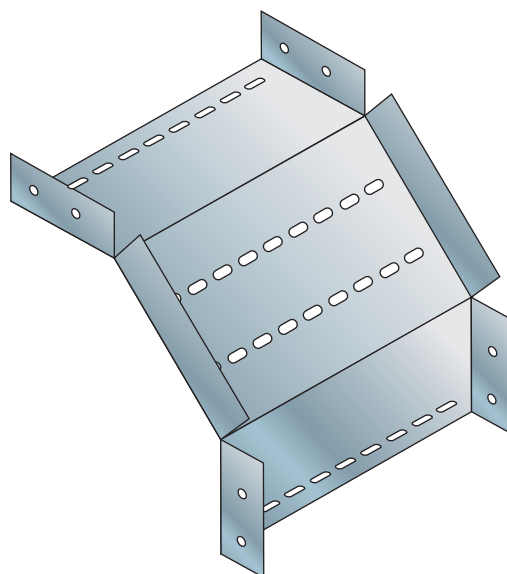
INTERNAL RISER (INSIDE)

ORDER PATTERN (mm)				
TYPE	ITEM	WIDTH	FINISH	THK
HDSF	IR	50	FINISH	THK
HDSF	IR	100	FINISH	THK
HDSF	IR	150	FINISH	THK
HDSF	IR	225	FINISH	THK
HDSF	IR	300	FINISH	THK
HDSF	IR	450	FINISH	THK
HDSF	IR	600	FINISH	THK
HDSF	IR	750	FINISH	THK
HDSF	IR	900	FINISH	THK



EXTERNAL RISER (OUTSIDE)

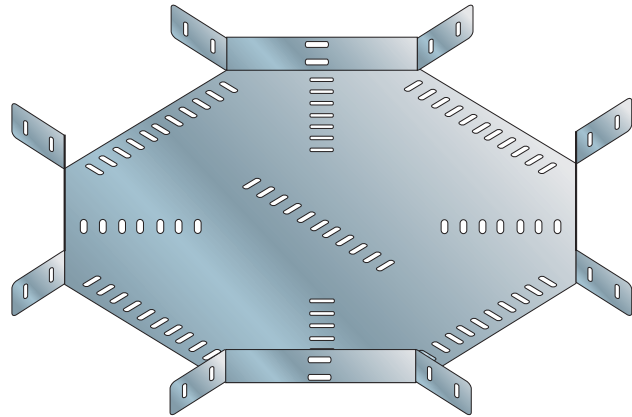
ORDER PATTERN (mm)				
TYPE	ITEM	WIDTH	FINISH	THK
HDSF	ER	50	FINISH	THK
HDSF	ER	100	FINISH	THK
HDSF	ER	150	FINISH	THK
HDSF	ER	225	FINISH	THK
HDSF	ER	300	FINISH	THK
HDSF	ER	450	FINISH	THK
HDSF	ER	600	FINISH	THK
HDSF	ER	750	FINISH	THK
HDSF	ER	900	FINISH	THK



Note: Request for any special sizes, gauges and flanges can be attended by our qualified team.

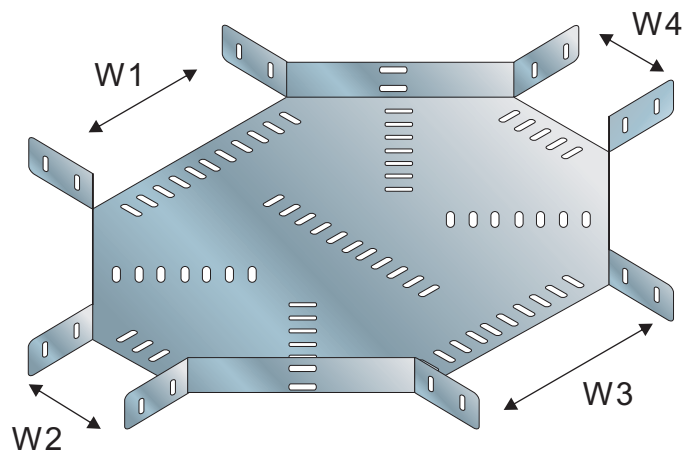
CROSS HORIZONTAL

ORDER PATTERN (mm)				
TYPE	ITEM	WIDTH	FINISH	THK
HDSF	CH	50	FINISH	THK
HDSF	CH	100	FINISH	THK
HDSF	CH	150	FINISH	THK
HDSF	CH	225	FINISH	THK
HDSF	CH	300	FINISH	THK
HDSF	CH	450	FINISH	THK
HDSF	CH	600	FINISH	THK
HDSF	CH	750	FINISH	THK
HDSF	CH	900	FINISH	THK



UNEQUAL CROSS HORIZONTAL

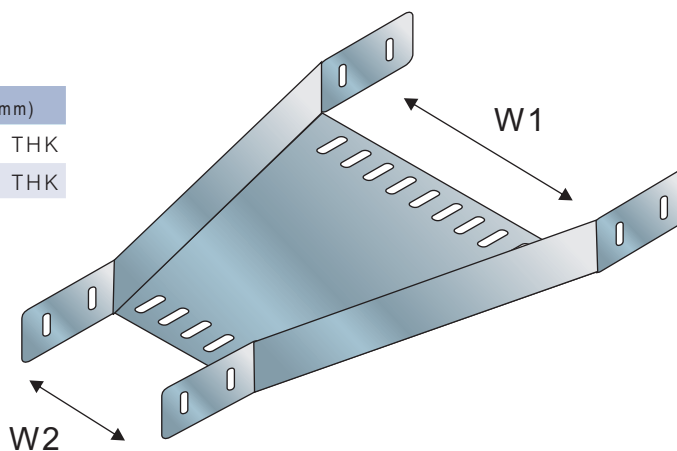
ORDER PATTERN (mm)				
TYPE	ITEM	WIDTH	FINISH	THK
HDSF	UCH	W1,W2,W3,W4	FINISH	THK



Note: Request for any special sizes, gauges and flanges can be attended by our qualified team.

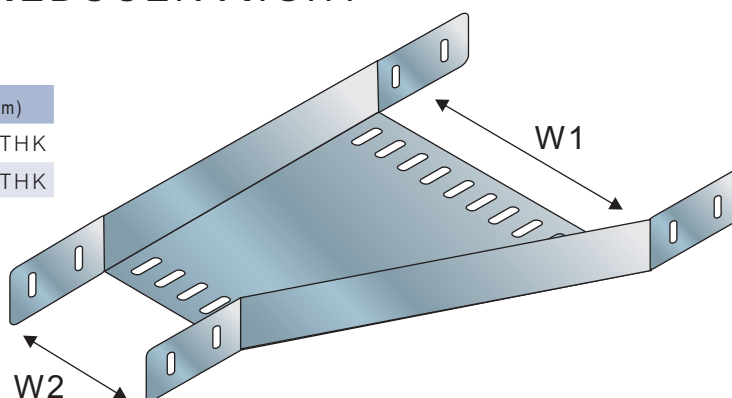
REDUCER STRAIGHT

ORDER PATTERN (mm)				
TYPE	ITEM	WIDTH	FINISH	THK
HDSF	RS	W1,W2	FINISH	THK



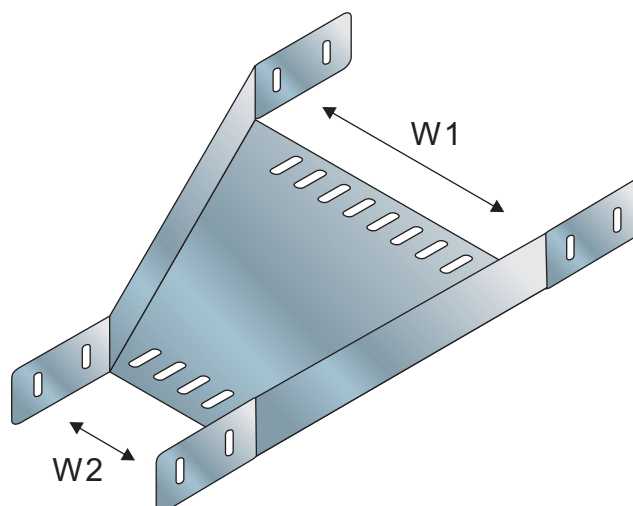
REDUCER RIGHT

ORDER PATTERN (mm)				
TYPE	ITEM	WIDTH	FINISH	THK
HDSF	RR	W1,W2	FINISH	THK



REDUCER LEFT

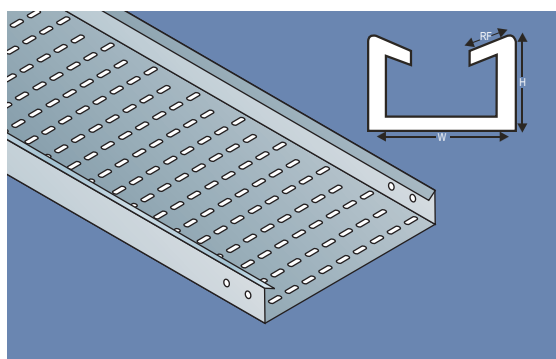
ORDER PATTERN (mm)				
TYPE	ITEM	WIDTH	FINISH	THK
HDSF	RL	W1,W2	FINISH	THK



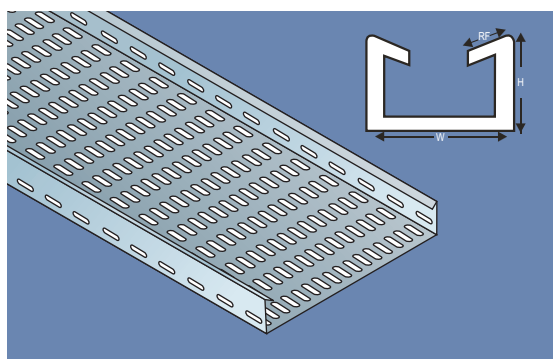
Note: Request for any special sizes, gauges and flanges can be attended by our qualified team.

HEAVY DUTY INWARD RETURN FLANGE CABLE TRAYS

TYPE -1



TYPE -2



STRAIGHT LENGTH & FITTINGS(mm)		
Range / Width (W)	Thickness (T)	Height (H)
50 - 150	1.0	50/ 75 /100
225 - 300	1.2	50/ 75 /100
450 - 600	1.5	50/ 75 /100
750 - 900	2.0	50/ 75 /100

STANDARD FINISHES

HDG Hot Dip Galvanized to BSEN ISO 1461:1999 (Formerly BS 729).

PG Pre Galvanized to BSEN 10142 & 10143.

PC Powder Coating to suit client requirements.

SS Stainless Steel finish to required grades.

Al Aluminum finish.

ORDER PATTERN (mm)

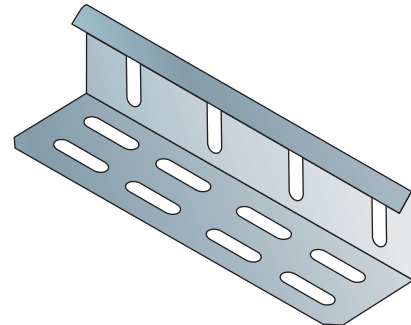
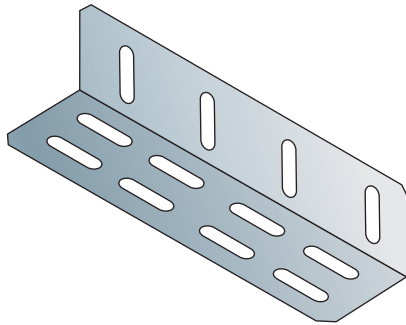
FLANGE	ITEM	WIDTH	FINISH	TYPE	THICKNESS
HDRF	CT	50	FINISH	1 / 2	THK
HDRF	CT	100	FINISH	1 / 2	THK
HDRF	CT	150	FINISH	1 / 2	THK
HDRF	CT	225	FINISH	1 / 2	THK
HDRF	CT	300	FINISH	1 / 2	THK
HDRF	CT	450	FINISH	1 / 2	THK
HDRF	CT	600	FINISH	1 / 2	THK
HDRF	CT	750	FINISH	1 / 2	THK
HDRF	CT	900	FINISH	1 / 2	THK

Heavy Duty Return Flange Perforated Cable Trays are made in standard length of 3mtrs. They can be produced in different lengths upon request.

Heavy Duty Return Flange Perforated Cable Tray fittings are made to a standard radius of 300 mm. They can be produced in 450 mm, 600 mm & 900 mm as required.

Note: Request for any special sizes, gauges and flanges can be attended by our qualified team.

CONNECTOR



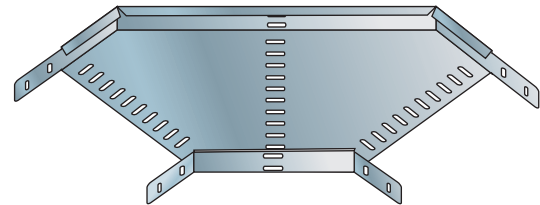
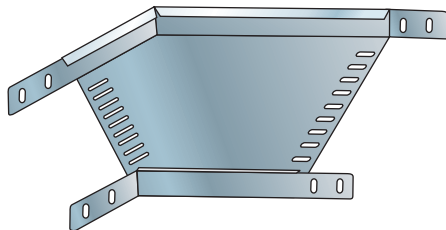
STRAIGHT COUPLER

ORDER PATTERN (mm)				
TYPE	ITEM	WIDTH	FINISH	THK
HDRF	SC	50-300	FINISH	1.5
HDRF	SC	450-900	FINISH	2.0

RETURN FLANGE COUPLER

ORDER PATTERN (mm)				
TYPE	ITEM	WIDTH	FINISH	THK
HDRF	RFC	50-300	FINISH	1.5
HDRF	RFC	450-900	FINISH	2.0

ELBOW HORIZONTAL



ELBOW 45°

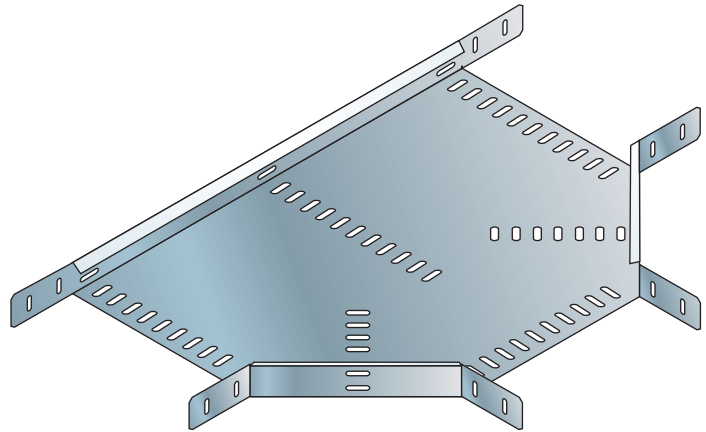
ELBOW 90°

ORDER PATTERN (mm)				
TYPE	ITEM	WIDTH	FINISH	THK
HDRF	EH 4/9	50	FINISH	THK
HDRF	EH 4/9	100	FINISH	THK
HDRF	EH 4/9	150	FINISH	THK
HDRF	EH 4/9	225	FINISH	THK
HDRF	EH 4/9	300	FINISH	THK
HDRF	EH 4/9	450	FINISH	THK
HDRF	EH 4/9	600	FINISH	THK
HDRF	EH 4/9	750	FINISH	THK
HDRF	EH 4/9	900	FINISH	THK

Note: Request for any special sizes, gauges and flanges can be attended by our qualified team.

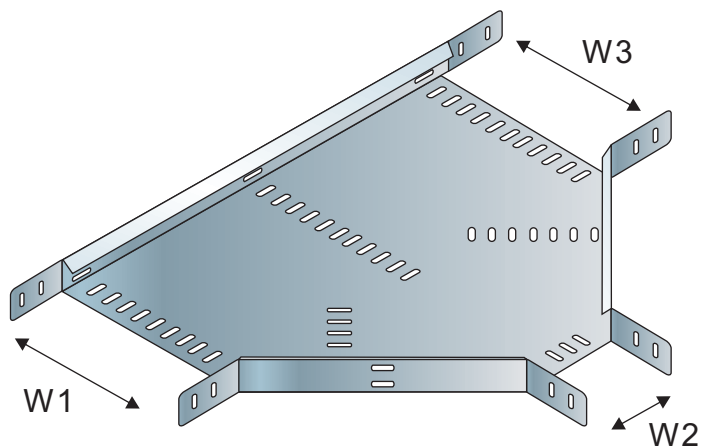
TEE HORIZONTAL

ORDER PATTERN (mm)				
TYPE	ITEM	WIDTH	FINISH	THK
HDRF	TH	50	FINISH	THK
HDRF	TH	100	FINISH	THK
HDRF	TH	150	FINISH	THK
HDRF	TH	225	FINISH	THK
HDRF	TH	300	FINISH	THK
HDRF	TH	450	FINISH	THK
HDRF	TH	600	FINISH	THK
HDRF	TH	750	FINISH	THK
HDRF	TH	900	FINISH	THK



UNEQUAL TEE HORIZONTAL

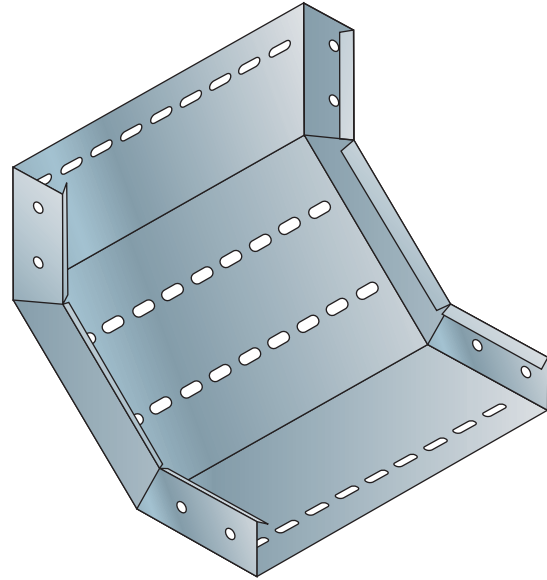
ORDER PATTERN (mm)				
TYPE	ITEM	WIDTH	FINISH	THK
HDRF	UTH	W1,W2,W3	FINISH	THK



Note: Request for any special sizes, gauges and flanges can be attended by our qualified team.

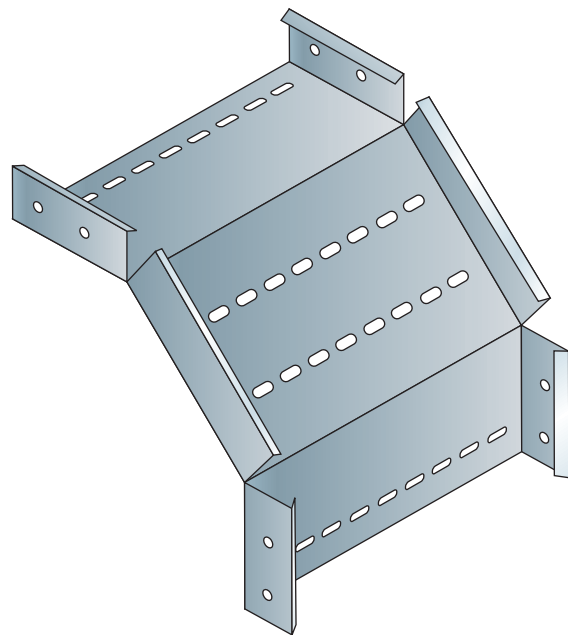
INTERNAL RISER (INSIDE)

ORDER PATTERN (mm)				
TYPE	ITEM	WIDTH	FINISH	THK
HDRF	IR	50	FINISH	THK
HDRF	IR	100	FINISH	THK
HDRF	IR	150	FINISH	THK
HDRF	IR	225	FINISH	THK
HDRF	IR	300	FINISH	THK
HDRF	IR	450	FINISH	THK
HDRF	IR	600	FINISH	THK
HDRF	IR	750	FINISH	THK
HDRF	IR	900	FINISH	THK



EXTERNAL RISER (OUTSIDE)

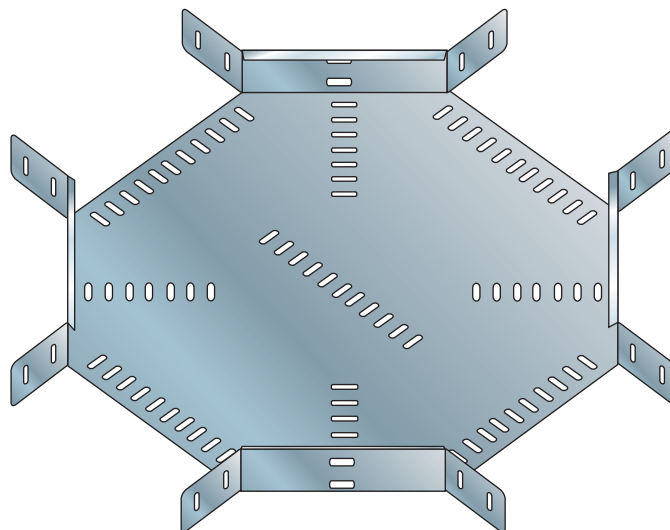
ORDER PATTERN (mm)				
TYPE	ITEM	WIDTH	FINISH	THK
HDRF	ER	50	FINISH	THK
HDRF	ER	100	FINISH	THK
HDRF	ER	150	FINISH	THK
HDRF	ER	225	FINISH	THK
HDRF	ER	300	FINISH	THK
HDRF	ER	450	FINISH	THK
HDRF	ER	600	FINISH	THK
HDRF	ER	750	FINISH	THK
HDRF	ER	900	FINISH	THK



Note: Request for any special sizes, gauges and flanges can be attended by our qualified team.

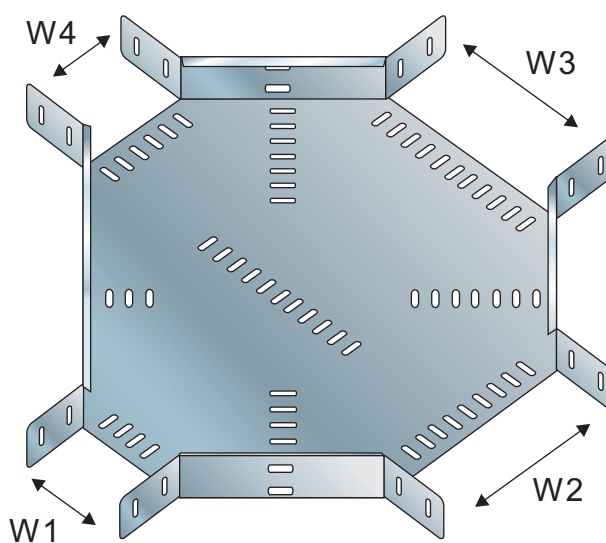
CROSS HORIZONTAL

ORDER PATTERN (mm)				
TYPE	ITEM	WIDTH	FINISH	THK
HDRF	CH	50	FINISH	THK
HDRF	CH	100	FINISH	THK
HDRF	CH	150	FINISH	THK
HDRF	CH	225	FINISH	THK
HDRF	CH	300	FINISH	THK
HDRF	CH	450	FINISH	THK
HDRF	CH	600	FINISH	THK
HDRF	CH	750	FINISH	THK
HDRF	CH	900	FINISH	THK



UNEQUAL CROSS HORIZONTAL

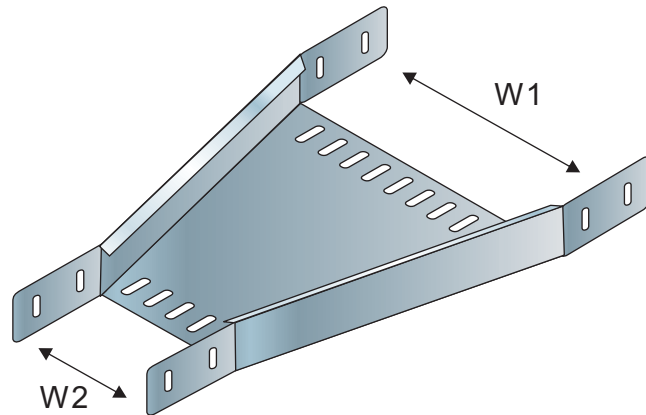
ORDER PATTERN (mm)				
TYPE	ITEM	WIDTH	FINISH	THK
HDRF	UCH	W1,W2,W3,W4	FINISH	THK



Note: Request for any special sizes, gauges and flanges can be attended by our qualified team.

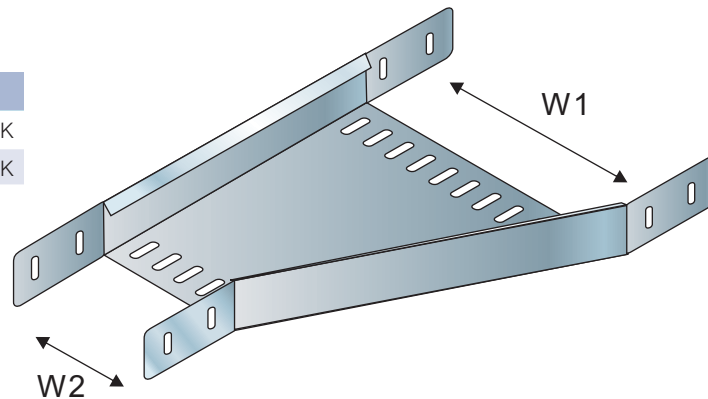
REDUCER STRAIGHT

ORDER PATTERN (mm)				
TYPE	ITEM	WIDTH	FINISH	THK
HDRF	RS	W1,W2	FINISH	THK



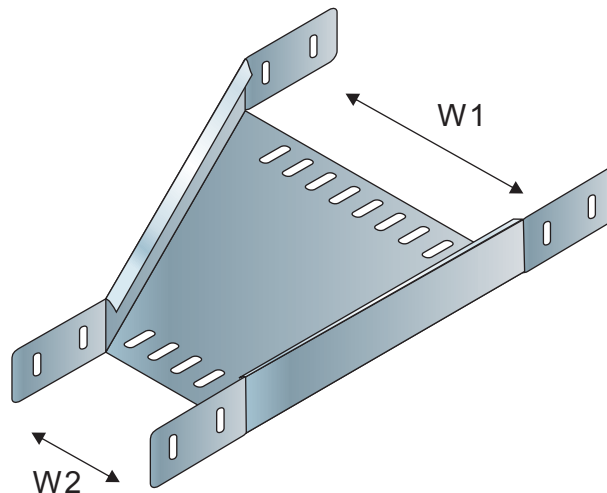
REDUCER RIGHT

ORDER PATTERN (mm)				
TYPE	ITEM	WIDTH	FINISH	THK
HDRF	RR	W1,W2	FINISH	THK



REDUCER LEFT

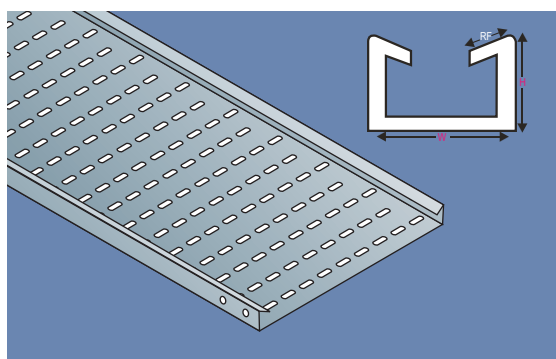
ORDER PATTERN (mm)				
TYPE	ITEM	WIDTH	FINISH	THK
HDRF	RL	W1,W2	FINISH	THK



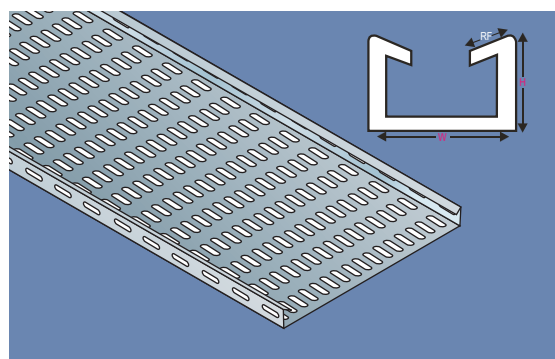
Note: Request for any special sizes, gauges and flanges can be attended by our qualified team.

MEDIUM DUTY INWARD RETURN FLANGE CABLE TRAYS

TYPE -1



TYPE -2



STRAIGHT LENGTH & FITTINGS (mm)

Range / Width (W)	Thickness (T)	Side (H)
50 - 150	1.0	25
225 - 300	1.2	25
450 - 600	1.5	25
750 - 900	2.0	25

STANDARD FINISHES

- HDG** Hot Dip Galvanized to BSEN ISO 1461:1999 (Formerly BS 729).
- PG** Pre Galvanized to BSEN 10142 & 10143.
- PC** Powder Coating to suit client requirements.
- SS** Stainless Steel finish to required grades.
- AI** Aluminum finish.

ORDER PATTERN (mm)

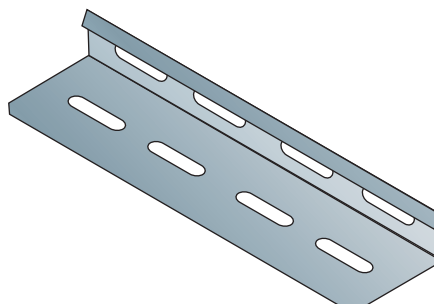
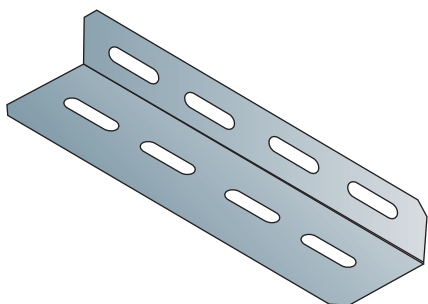
FLANGE	ITEM	WIDTH	FINISH	TYPE	THICKNESS
MDRF	CT	50	FINISH	1 / 2	THK
MDRF	CT	100	FINISH	1 / 2	THK
MDRF	CT	150	FINISH	1 / 2	THK
MDRF	CT	225	FINISH	1 / 2	THK
MDRF	CT	300	FINISH	1 / 2	THK
MDRF	CT	450	FINISH	1 / 2	THK
MDRF	CT	600	FINISH	1 / 2	THK
MDRF	CT	750	FINISH	1 / 2	THK
MDRF	CT	900	FINISH	1 / 2	THK

Medium Duty Return Flange Perforated Cable Trays are made in standard length of 3mtrs. They can be produced in different lengths upon request.

Medium Duty Return Flange Perforated Cable Tray fittings are made to a standard radius of 300 mm. They can be produced in 450 mm, 600 mm & 900 mm as required.

Note: Request for any special sizes, gauges and flanges can be attended by our qualified team.

CONNECTOR



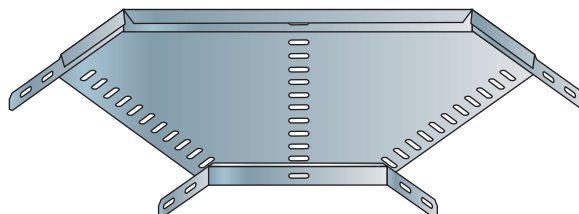
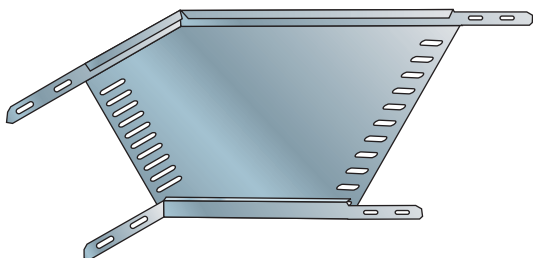
STRAIGHT COUPLER

ORDER PATTERN (mm)				
TYPE	ITEM	WIDTH	FINISH	THK
MDRF	SC	50-300	FINISH	1.5
MDRF	SC	450-900	FINISH	2.0

RETURN FLANGE COUPLER

ORDER PATTERN (mm)				
TYPE	ITEM	WIDTH	FINISH	THK
MDRF	RFC	50-300	FINISH	1.5
MDRF	RFC	450-900	FINISH	2.0

ELBOW HORIZONTAL



ELBOW 45°

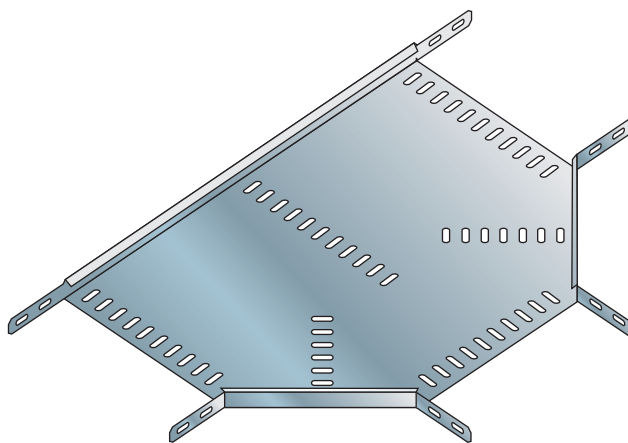
ELBOW 90°

ORDER PATTERN (mm)					
TYPE	ITEM	WIDTH	FINISH	THK	
MDRF	EH 4/9	50	FINISH	THK	
MDRF	EH 4/9	100	FINISH	THK	
MDRF	EH 4/9	150	FINISH	THK	
MDRF	EH 4/9	225	FINISH	THK	
MDRF	EH 4/9	300	FINISH	THK	
MDRF	EH 4/9	450	FINISH	THK	
MDRF	EH 4/9	600	FINISH	THK	
MDRF	EH 4/9	750	FINISH	THK	
MDRF	EH 4/9	900	FINISH	THK	

Note: Request for any special sizes, gauges and flanges can be attended by our qualified team.

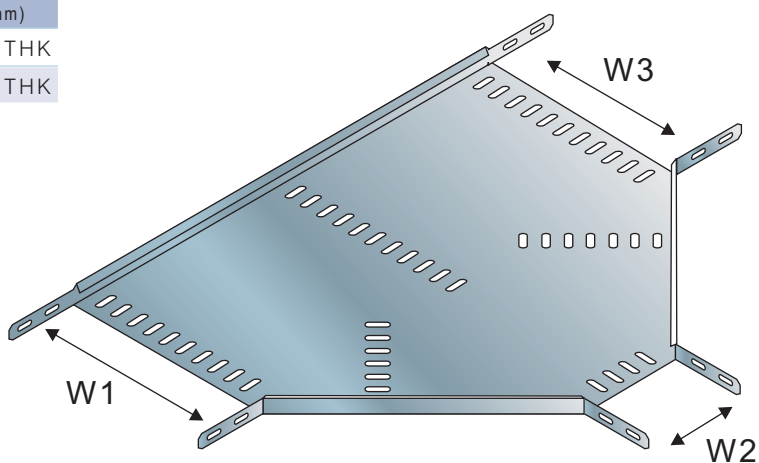
TEE HORIZONTAL

ORDER PATTERN (mm)				
TYPE	ITEM	WIDTH	FINISH	THK
MDRF	TH	50	FINISH	THK
MDRF	TH	100	FINISH	THK
MDRF	TH	150	FINISH	THK
MDRF	TH	225	FINISH	THK
MDRF	TH	300	FINISH	THK
MDRF	TH	450	FINISH	THK
MDRF	TH	600	FINISH	THK
MDRF	TH	750	FINISH	THK
MDRF	TH	900	FINISH	THK



UNEQUAL TEE HORIZONTAL

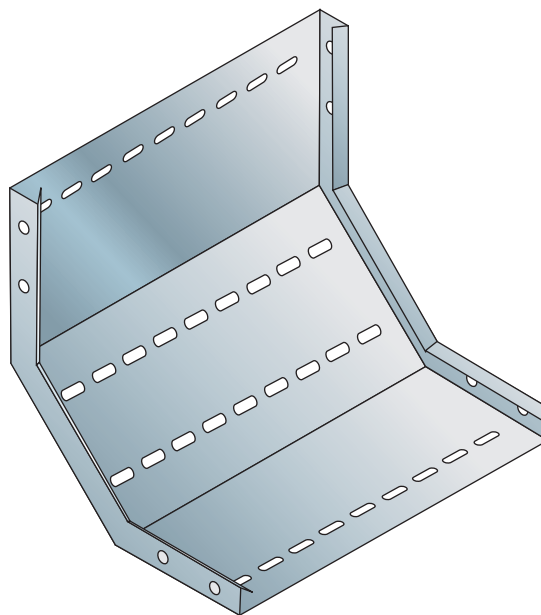
ORDER PATTERN (mm)				
TYPE	ITEM	WIDTH	FINISH	THK
MDRF	UTH	W1,W2,W3	FINISH	THK



Note: Request for any special sizes, gauges and flanges can be attended by our qualified team.

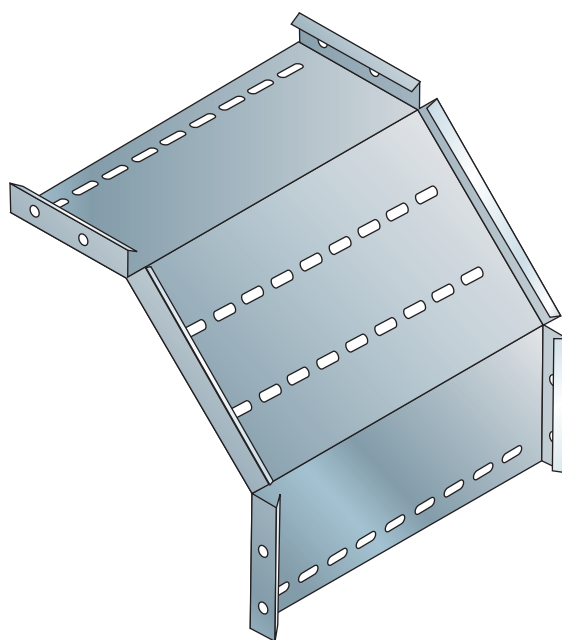
INTERNAL RISER (INSIDE)

ORDER PATTERN (mm)				
TYPE	ITEM	WIDTH	FINISH	THK
MDRF	IR	50	FINISH	THK
MDRF	IR	100	FINISH	THK
MDRF	IR	150	FINISH	THK
MDRF	IR	225	FINISH	THK
MDRF	IR	300	FINISH	THK
MDRF	IR	450	FINISH	THK
MDRF	IR	600	FINISH	THK
MDRF	IR	750	FINISH	THK
MDRF	IR	900	FINISH	THK



EXTERNAL RISER (OUTSIDE)

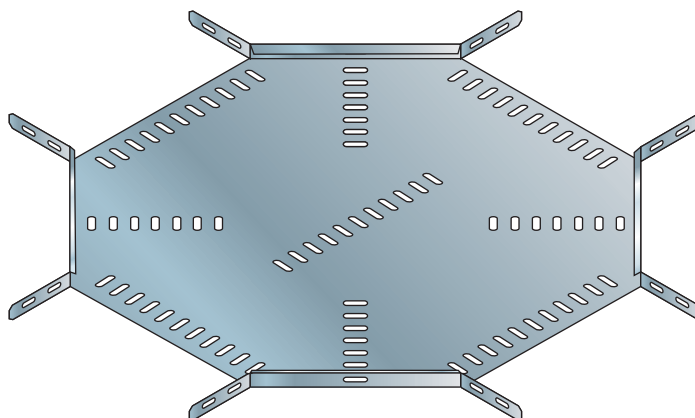
ORDER PATTERN (mm)				
TYPE	ITEM	WIDTH	FINISH	THK
MDRF	ER	50	FINISH	THK
MDRF	ER	100	FINISH	THK
MDRF	ER	150	FINISH	THK
MDRF	ER	225	FINISH	THK
MDRF	ER	300	FINISH	THK
MDRF	ER	450	FINISH	THK
MDRF	ER	600	FINISH	THK
MDRF	ER	750	FINISH	THK
MDRF	ER	900	FINISH	THK



Note: Request for any special sizes, gauges and flanges can be attended by our qualified team.

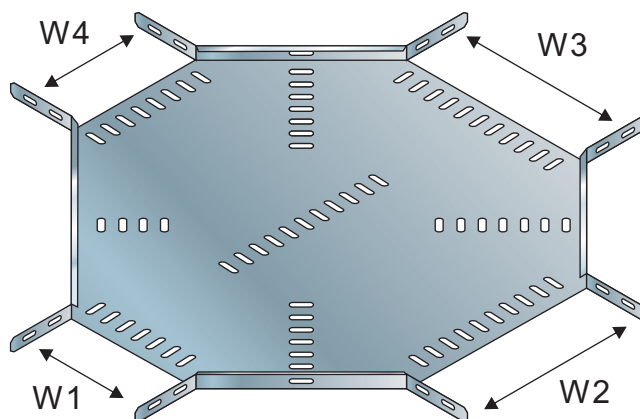
CROSS HORIZONTAL

ORDER PATTERN (mm)				
TYPE	ITEM	WIDTH	FINISH	THK
MDRF		50	FINISH	THK
MDRF		100	FINISH	THK
MDRF		150	FINISH	THK
MDRF		225	FINISH	THK
MDRF		300	FINISH	THK
MDRF		450	FINISH	THK
MDRF		600	FINISH	THK
MDRF		750	FINISH	THK
MDRF		900	FINISH	THK



UNEQUAL CROSS HORIZONTAL

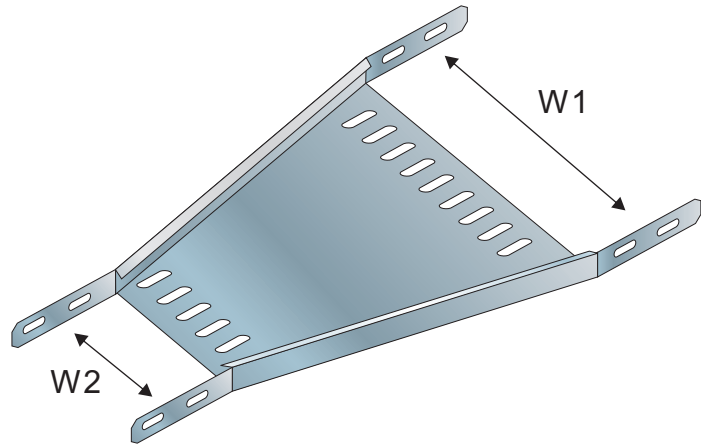
ORDER PATTERN (mm)				
TYPE	ITEM	WIDTH	FINISH	THK
MDRF	UCH	W1,W2,W3,W4	FINISH	THK



Note: Request for any special sizes, gauges and flanges can be attended by our qualified team.

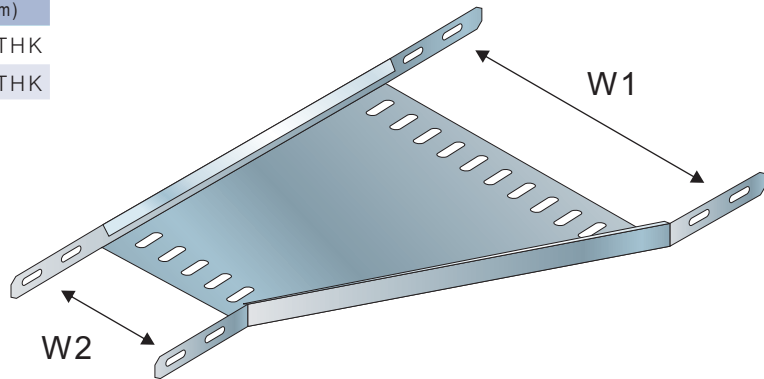
REDUCER STRAIGHT

ORDER PATTERN (mm)				
TYPE	ITEM	WIDTH	FINISH	THK
MDRF	RS	W1,W2	FINISH	THK



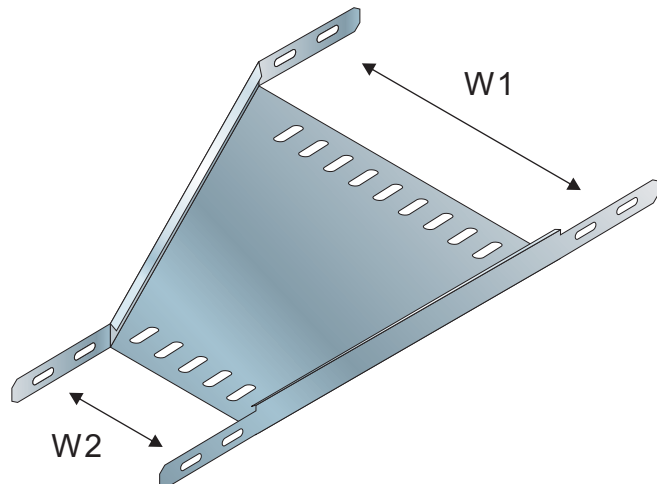
REDUCER RIGHT

ORDER PATTERN (mm)				
TYPE	ITEM	WIDTH	FINISH	THK
MDRF	RR	W1,W2	FINISH	THK



REDUCER LEFT

ORDER PATTERN (mm)				
TYPE	ITEM	WIDTH	FINISH	THK
MDRF	RL	W1,W2	FINISH	THK



Note: Request for any special sizes, gauges and flanges can be attended by our qualified team.

CABLE TRAY FITTINGS

Cable Tray Fittings are produced to suit standard installations of Novablue Cable Tray Systems.

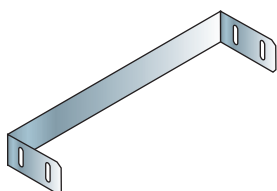
FLANGES

LDSF :Light Duty Straight Flange Cable Tray
 HDSF :Heavy Duty Straight Flange Cable Tray
 MDRF :Medium Duty Return Flange Cable Tray
 HDRF :Heavy Duty Return Flange Cable Tray

STANDARD FINISHES

HDG Hot Dip Galvanized to BSEN ISO 1461:1999 (Formerly BS 729).
 PG Pre Galvanized to BSEN 10142 & 10143.
 PC Powder Coating to suit client requirements.
 SS Stainless Steel finish to required grades.
 Al Aluminum finish.

BLIND END

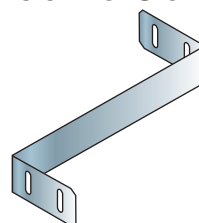


Width	Thickness
50 - 300	1.5
450 - 900	2.0

ORDER PATTERN (mm)

TYPE	ITEM	FLANGE	FINISH	THK
CT	BE	FLANGE	FINISH	THK

REDUCING CONNECTOR

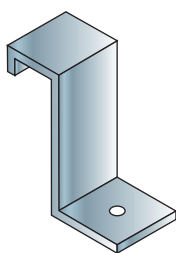


Width	Thickness
50 - 300	1.5
450 - 900	2.0

ORDER PATTERN (mm)

TYPE	ITEM	FLANGE	FINISH	THK
CT	RC	FLANGE	FINISH	THK

HOLD DOWN CLAMP

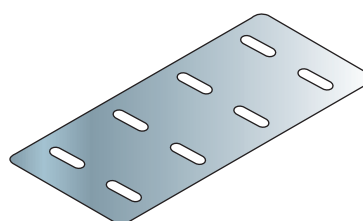


Width	Thickness
50 - 300	1.5
450 - 900	2.0

ORDER PATTERN (mm)

TYPE	ITEM	FLANGE	FINISH	THK
CT	HDC	FLANGE	FINISH	THK

FISH PLATE



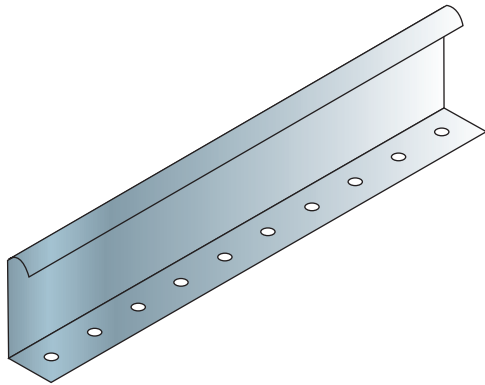
Width	Thickness
50 - 300	1.5
450 - 900	2.0

ORDER PATTERN (mm)

TYPE	ITEM	FLANGE	FINISH	THK
CT	FP	FLANGE	FINISH	THK

Note: Request for any special sizes, gauges and flanges can be attended by our qualified team.

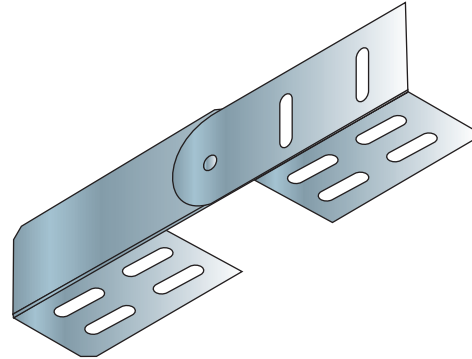
BARRIER STRAIGHT



Width	Thickness
50 - 300	1.5
450 - 900	2.0

ORDER PATTERN (mm)				
TYPE	ITEM	FLANGE	FINISH	THK
CT	BS	FLANGE	FINISH	THK

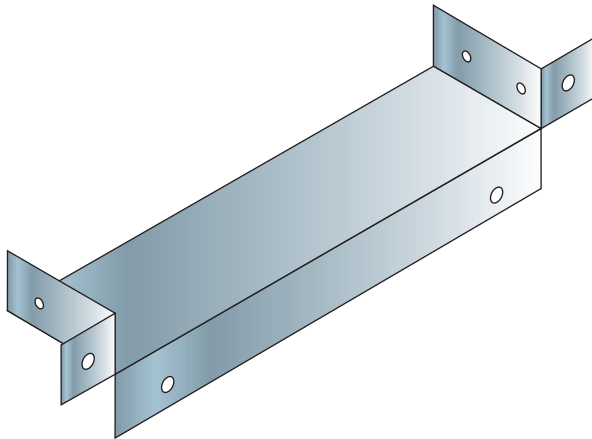
ADJUSTABLE VERTICAL CONNECTOR



Width	Thickness
50 - 300	1.5
450 - 900	2.0

ORDER PATTERN (mm)				
TYPE	ITEM	FLANGE	FINISH	THK
CT	AVC	FLANGE	FINISH	THK

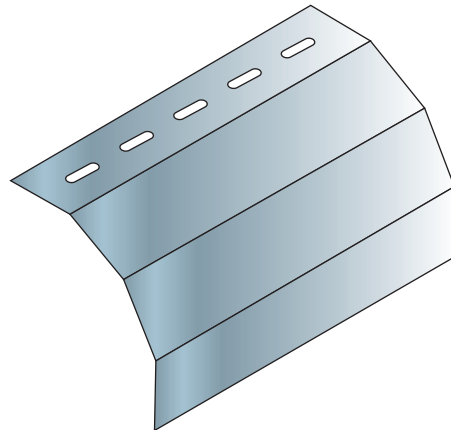
BOX CONNECTOR



Width	Thickness
50 - 300	1.5
450 - 900	2.0

ORDER PATTERN (mm)				
TYPE	ITEM	FLANGE	FINISH	THK
CT	BC	FLANGE	FINISH	THK

DROP OUT



Width	Thickness
50 - 300	1.5
450 - 900	2.0

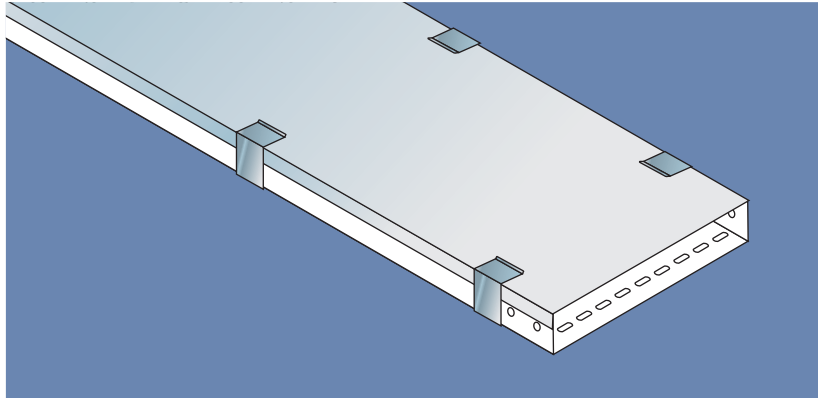
ORDER PATTERN (mm)				
TYPE	ITEM	FLANGE	FINISH	THK
CT	DO	FLANGE	FINISH	THK

Note: Request for any special sizes, gauges and flanges can be attended by our qualified team.

COVERS : CABLE TRAYS & ACCESSORIES

TYPE-1

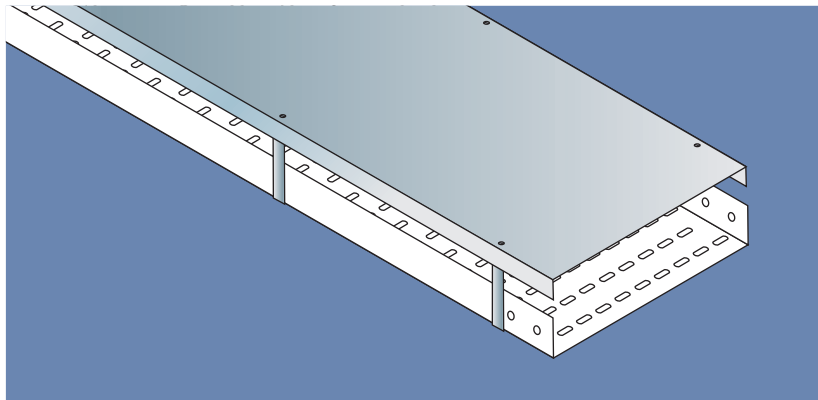
CLOSED COVER



Closed Tray Cover can be installed by using either Screw Type or Push Type cover clamps.

TYPE-2

VENTILATED COVER



Ventilated Tray Cover can be installed by using Screw Type cover clamps.

STRAIGHT LENGTH & FITTINGS (mm)		
Range / Width (W)	Thickness (T)	Height (H)
50 - 150	1.0	14
225 - 300	1.2	14
450 - 600	1.5	14
750 - 900	2.0	14

STANDARD FINISHES

HDG Hot Dip Galvanized to BSEN ISO 1461:1999 (Formerly BS 729).

PG Pre Galvanized to BSEN 10142 & 10143.

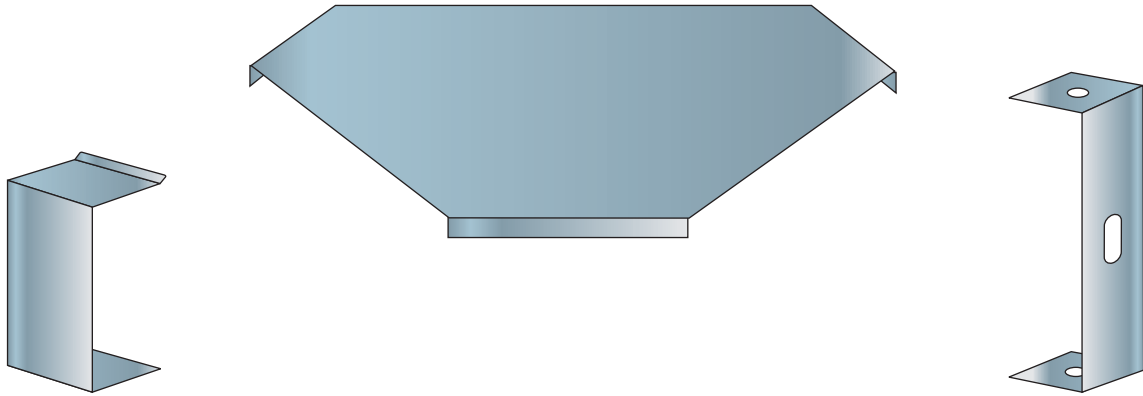
PC Powder Coating to suit client requirements.

SS Stainless Steel finish to required grades.

Al Aluminum finish.

Note: Request for any special sizes, gauges and flanges can be attended by our qualified team.
Different thickness in covers can be produced upon request.

ELBOW HORIZONTAL COVER



CLOSED COVER
INSTALLED WITH PUSH UP CLAMP

ORDER PATTERN (mm)

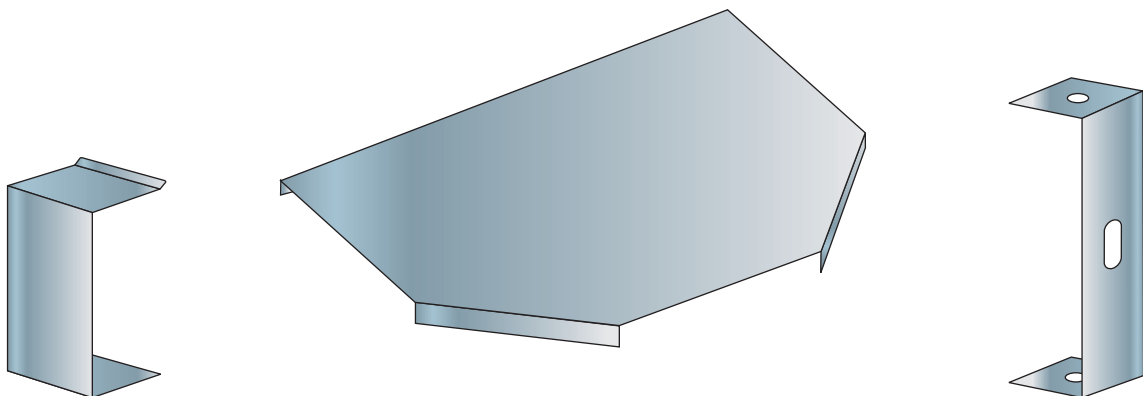
TYPE	ITEM	FLANGE	WIDTH	FINISH	THK
1 / 2	EHCC	FLANGE	WIDTH	FINISH	THK

VENTILATED COVER
INSTALLED WITH SCREW TYPE CLAMP

ORDER PATTERN (mm)

TYPE	ITEM	FLANGE	WIDTH	FINISH	THK
1 / 2	EHVC	FLANGE	WIDTH	FINISH	THK

TEE HORIZONTAL



CLOSED COVER
INSTALLED WITH PUSH UP CLAMP

ORDER PATTERN (mm)

TYPE	ITEM	FLANGE	WIDTH	FINISH	THK
1 / 2	THCC	FLANGE	WIDTH	FINISH	THK

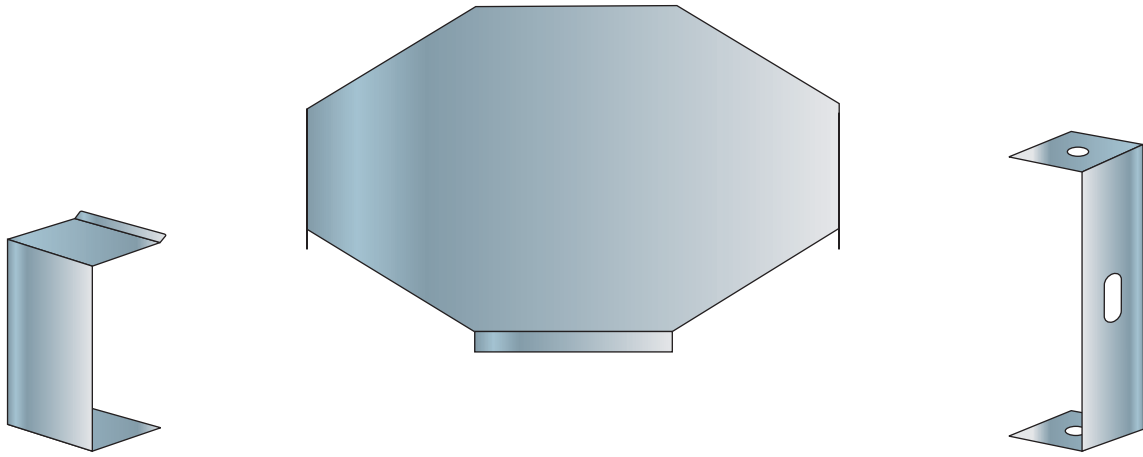
VENTILATED COVER
INSTALLED WITH SCREW TYPE CLAMP

ORDER PATTERN (mm)

TYPE	ITEM	FLANGE	WIDTH	FINISH	THK
1 / 2	THVC	FLANGE	WIDTH	FINISH	THK

Note: Request for any special sizes, gauges and flanges can be attended by our qualified team.

CROSS HORIZONTAL COVER



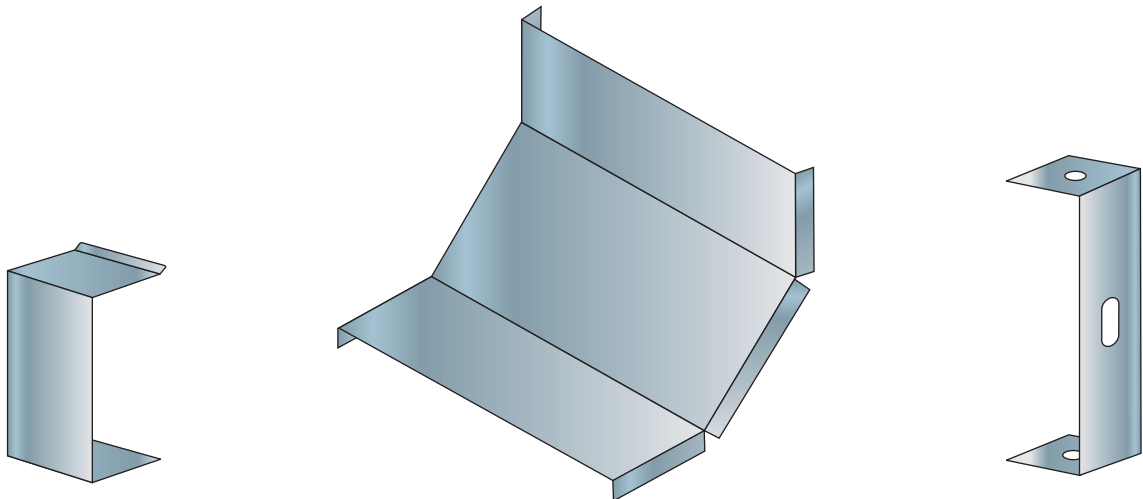
CLOSED COVER
INSTALLED WITH PUSH UP CLAMP

ORDER PATTERN (mm)					
TYPE	ITEM	FLANGE	WIDTH	FINISH	THK
1 / 2	CHCC	FLANGE	WIDTH	FINISH	THK

VENTILATED COVER
INSTALLED WITH SCREW TYPE CLAMP

ORDER PATTERN (mm)					
TYPE	ITEM	FLANGE	WIDTH	FINISH	THK
1 / 2	CHVC	FLANGE	WIDTH	FINISH	THK

INSIDE /INTERNAL RISER COVER



CLOSED COVER
INSTALLED WITH PUSH UP CLAMP

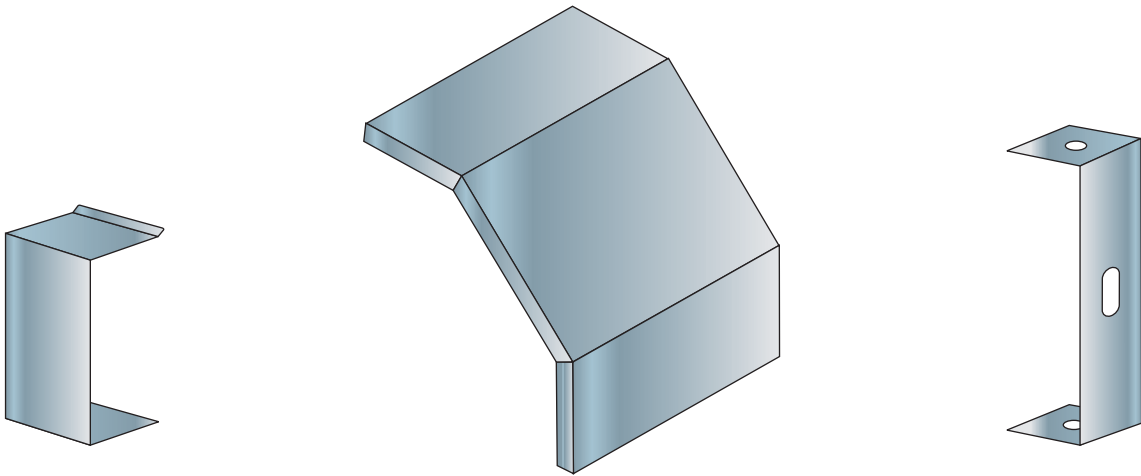
ORDER PATTERN (mm)					
TYPE	ITEM	FLANGE	WIDTH	FINISH	THK
1 / 2	IRCC	FLANGE	WIDTH	FINISH	THK

VENTILATED COVER
INSTALLED WITH SCREW TYPE CLAMP

ORDER PATTERN (mm)					
TYPE	ITEM	FLANGE	WIDTH	FINISH	THK
1 / 2	IRVC	FLANGE	WIDTH	FINISH	THK

Note: Request for any special sizes, gauges and flanges can be attended by our qualified team.

OUTSIDE / EXTERNAL RISER COVER



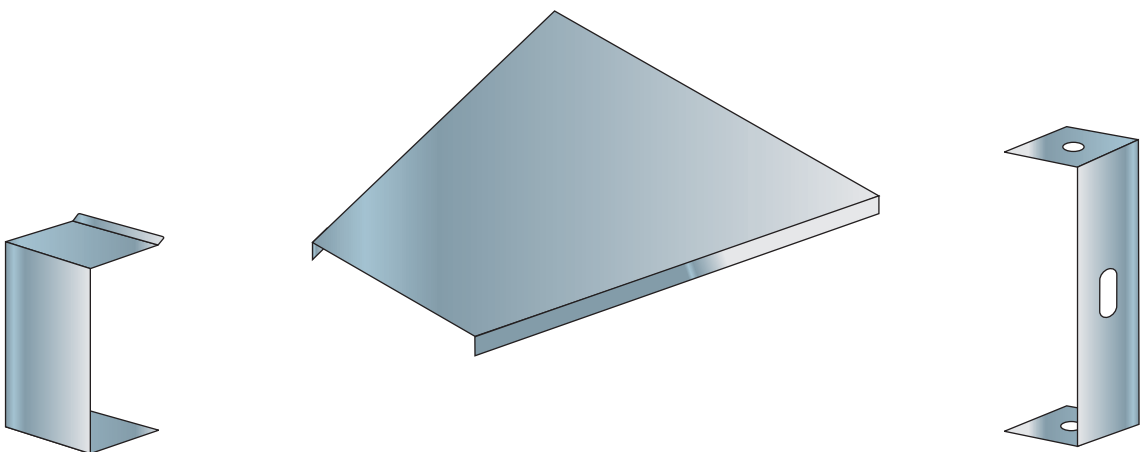
CLOSED COVER
INSTALLED WITH PUSH UP CLAMP

ORDER PATTERN (mm)					
TYPE	ITEM	FLANGE	WIDTH	FINISH	THK
1 / 2	ERCC	FLANGE	WIDTH	FINISH	THK

VENTILATED COVER
INSTALLED WITH SCREW TYPE CLAMP

ORDER PATTERN (mm)					
TYPE	ITEM	FLANGE	WIDTH	FINISH	THK
1 / 2	ERVC	FLANGE	WIDTH	FINISH	THK

REDUCER STRAIGHT COVER



CLOSED COVER
INSTALLED WITH PUSH UP CLAMP

ORDER PATTERN (mm)					
TYPE	ITEM	FLANGE	WIDTH	FINISH	THK
1 / 2	RSCC	FLANGE	WIDTH	FINISH	THK

VENTILATED COVER
INSTALLED WITH SCREW TYPE CLAMP

ORDER PATTERN (mm)					
TYPE	ITEM	FLANGE	WIDTH	FINISH	THK
1 / 2	RSVC	FLANGE	WIDTH	FINISH	THK

Note: Request for any special sizes, gauges and flanges can be attended by our qualified team.