



CONTROL PANEL / SWITCHBOARD ACCESSORIES

DIN RAIL CHANNELS

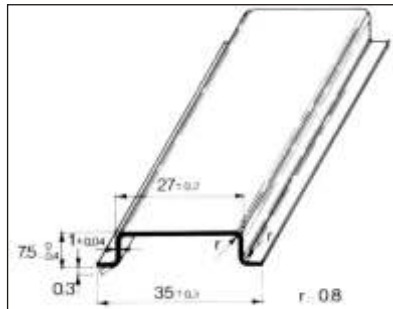
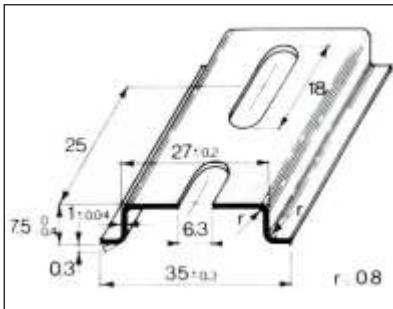
“HEX” offers a complete range of DIN RAILS for the mounting of terminal blocks, MCB’s etc. These steel rails are manufactured from cold roll steel and processed in various types through rolling. The finish is zinc electroplated with yellow passivation. Also available with white passivation, as per RoHS compliance, against specific order .

All rails are available in 1 mtr. & 2 mtr. length and in three types i.e. Plain (P), Punched / Dotted (D) & Slotted (S).

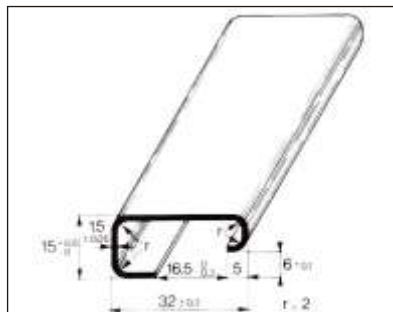
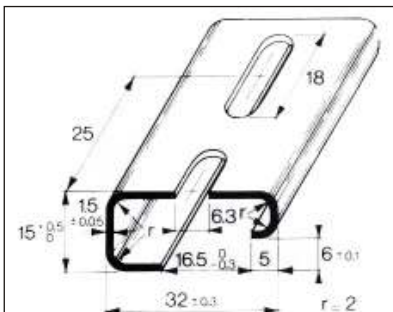


While ordering add the type :

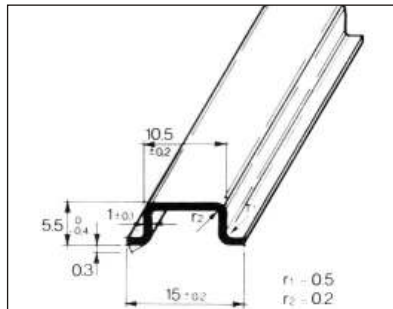
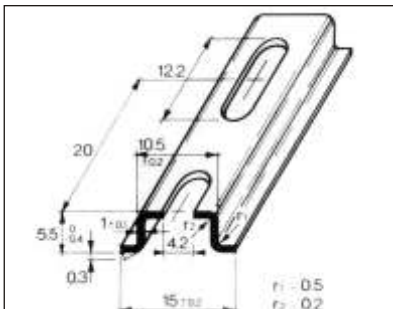
P for (Plain), D for (Dotted/Punched) and S for (Slotted).



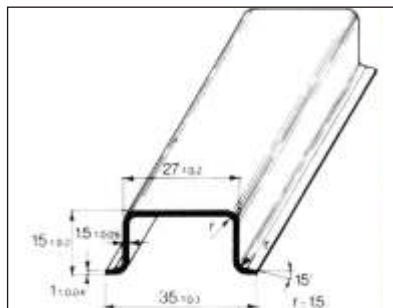
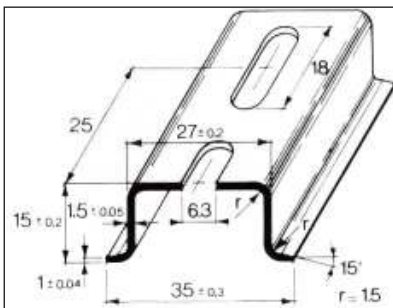
Hex Prod. Code : - HDR - 3575
Size :- 35mm x 7.5mm



Hex Prod. Code : - HDR - 3215G
Size :- 32mm x 15mm x 9mm



Hex Prod. Code : - HDR - 1555
Size :- 15mm x 5.5mm



Hex Prod. Code : - HDR - 3515
Size :- 35mm x 15mm

End Clamps for Din Rails

Hex Prod. Code : - HECDR - 35

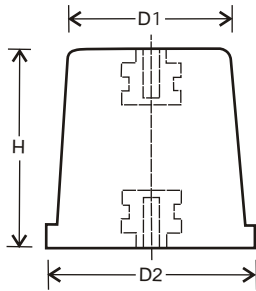


Hex Prod. Code : - HECDR - 32

DMC BUS BAR SUPPORTS / INSULATORS



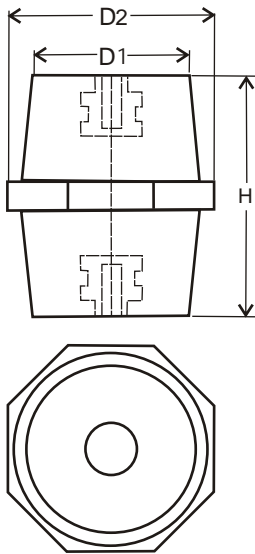
- “HEX” manufactures a wide range of DMC insulators for Control Panels, Boards etc. in various types viz. Conical, Cylindrical, Hexagonal, Hex-Cylindrical.
- The Sizes range from the height of 25mm to 75mm. The extruded brass insert varies accordingly from M6 to M12, for the fixing of insulators.
- “HEX” insulators have excellent electrical and mechanical strength, heat and flame resistance and a very low water absorption capacity.
- All “HEX” insulators have successfully withstood the tests carried out by reputed test labs.



INSULATOR CONICAL SERIES

PROD. CODE	D1	D2	H	Bush Size
HBBI-C 2506	22	25	25	M6
HBBI-C 3508	28	35	35	M8
HBBI-C 5008	40	50	50	M8
HBBI-C 7510	45	55	75	M10

INSULATOR HEXAGONAL/OCT SERIES



PROD. CODE	D1	D2	H	Bush Size
HBBI - 2506	24	26	25	M6
HBBI - 2508	26	27	25	M8
HBBI - 3006	25	33	30	M6
HBBI - 3008	25	33	30	M8
HBBI - 3506	26	35	35	M6
HBBI - 3508	26	34	35	M8
HBBI - 3510	26	35	35	M10
HBBI - 4008	30	40	40	M8
HBBI - 4010	30	40	40	M10
HBBI - 4508	30	40	45	M8
HBBI - 4510	30	40	45	M10
HBBI - 5108	35	45	51	M8
HBBI - 5110	38	50	51	M10
HBBI - 6010	38	50	60	M10
HBBI - 6012	38	50	60	M12
HBBI - 7610	38	55	76	M10

PVC GROMMETS / CLOSURES



Sheet Hole Inches	Diameter MM	Product Code
3/8"	9.5	HGB 2
1/2"	12.5	HGB 3
5/8"	15.5	HGB 4
3/4"	19.0	HGB 5
7/8"	22.0	HGB 6
1"	25.0	HGB 7
1 1/4"	32.0	HGB 8
1 1/2"	38.0	HGB 9
2"	50.0	HGB 11

PANEL LOCKS

HPL - 001 : Zinc lock small
HPL - 002 : Small lock for meter box
HPL - 003 : Zinc lock
HPL - 004 : Zinc lock pad locking type
HPL - 005 : Zinc lock sq. 7mm
HPL - 006 : Zinc lock sq. 8mm
HPL - 007 : Zinc lock triangle 6.5mm
HPL - 008 : Zinc lock triangle 7mm
HPL - 009 : Zinc lock (slotted)
HPL - 010 : Zinc lock sq. face
HPL - 011 : Wing lock small
HPL - 012 : Wing lock long
HPL - 013 : SC-1 double bit Q.T. lock
HPL - 014 : SC-2 triangle 7mm
HPL - 015 : SC-3 7mm sq. recessed
HPL - 016 : SC-4 7mm sq. raised
HPL - 017 : SC-5 8mm sq. raised
HPL - 018 : Compression lock
HPL - 019 : Spring loaded lock
HPL - 020 : Die cast push to open lock
HPL - 021 : Compression lock with Screw adjustment
HPL - 022 : P.A. lock
HPL - 023 : Plastic lock 3 piece
HPL - 024 : Slide lock small
HPL - 025 : Slide lock big



KEY LOCKS

HKL - 001 : Small lock with key
HKL - 002 : Zinc lock with key
HKL - 003 : GD lock long body
HKL - 004 : GD lock small body
HKL - 005 : Wing lock small with key
HKL - 006 : Wing lock big with key
HKL - 007 : "T" handle with key
HKL - 008 : "L" handle with key
HKL - 009 : Slam lock
HKL - 010 : "L" handle with P.A. base
HKL - 011 : "L" handle with P.A. base pad lock type
HKL - 012 : Wing handle small with key type 2



Keys

HKE - 001	: Key for zinc lock type 1
HKE - 002	: Key for zinc lock type 2
HKE - 003	: Key for zinc lock type 3
HKE - 004	: Key for triangle lock 7/8mm
HKE - 005	: Key for square lock recessed
HKE - 006	: Key for square lock 6.5/7mm
HKE - 007	: Key for meter box lock
HKE - 008	: Key for P.A. lock 'L' type
HKE - 009	: Key for P.A. lock wing type

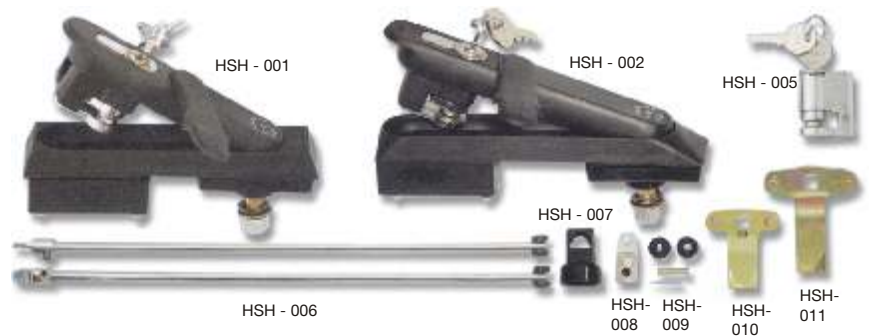


HSH - 001	: 3 point lock small
HSH - 002	: 3 point lock big

Swing Handle (Round Rod)

Accessories for 3 Point Lock

HSH - 005	: Lock with universal key
HSH - 006	: Rods 4' long 2 nos.
HSH - 007	: Rod guide 2 nos.
HSH - 008	: Zinc socket 2 nos.
HSH - 009	: Roller assy. 2 sets
HSH - 010	: 3 point cam small
HSH - 011	: 3 point cam big



HRL - 001	: Rod latch mechanism LH/RH
HRL - 002	: Front plate for double bit
HRL - 003	: Front plate with 'L' handle with lock and without lock
HRL - 004	: Front plate with 'T' handle with lock and without lock
HRL - 005	: 'L' handle with extended rod

Rod Latch Systems (Flat Rods)

Accessories for Rod latch system

HRL - 011	: Rod guide P.A. 2 nos.
HRL - 012	: Rod guide Zinc 2 nos.
HRL - 013	: Rod guide centre P.A.
HRL - 014	: Flat rods



HINGES

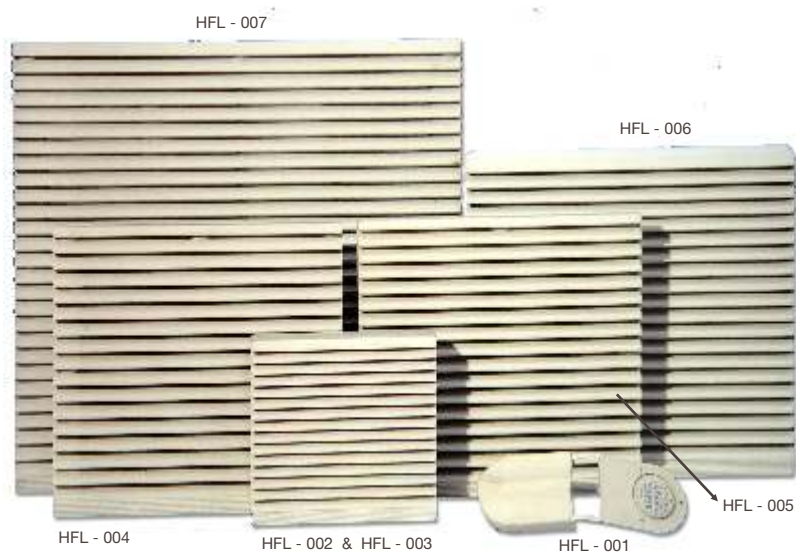
HHN - 001 : Concealed hinge 20mm
HHN - 002 : Concealed hinge 26mm
HHN - 003 : Concealed hinge 20mm weld on
HHN - 004 : Concealed hinge 120°
HHN - 005 : Zinc die-cast hinge 180°
HHN - 006 : SM hinge big
HHN - 007 : SM hinge small
HHN - 008 : Spring loaded hinge
HHN - 009 : Pin type hinge die-cast
HHN - 010 : 'U' hinge small / big
HHN - 011 : Zinc die-cast hinge 180° big
HHN - 012 : 120° Hinge pull type
HHN - 013 : Screw on hinge
HHN - 014 : Profile hinge screw on brass
HHN - 015 : Profile hinge P.A.
HHN - 016 : Heavy duty hinge 4 hole
HHN - 017 : Heavy duty hinge for acoustic enclosures 5 hole



FILTERS

- All filters are supplied with synthetic washable filter media for filtering dust upto 5 microns.
- All filters supplied with gaskets for IP 55

HFL - 001 : Air Vent
HFL - 002 : 130 x 130 mm Surface mounting
HFL - 003 : 130 x 130 mm Snap fitting
HFL - 004 : 203 x 203 mm Surface mounting
HFL - 005 : 203 x 203 mm Snap fitting (with provision for mounting axial flow fan)
HFL - 006 : 230 x 230 mm Surface mounting
HFL - 007 : 320 x 325 mm Snap fitting



Accessories

HOAC - 001 : Cable Ally Shroud
HOAC - 002 : Handle
HOAC - 004 : Wind Stay
HOAC - 005 : Door Stopper
HOAC - 006 : Wall Mounting Bracket, set of 2 with Hardware



Document Holders

- All document holders are supplied with double adhesive tape as optional.
- Specific colours available on request.

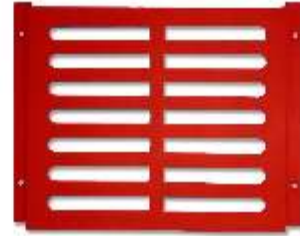
HCDX - 001 : A5 size

HCDX - 002 : A4 size regular 18mm deep

HCDX - 003 : A4 extra 35mm deep



HDX - 001



HDX - 002



HDX - 003

Tinned Copper Bus Bars

MATERIAL : E-COPPER

FINISH : ELECTRO TINNED

Bus Bars are manufactured and supplied as per customer's Specifications , Drawings etc.



TINNED COPPER BUSHES

MATERIAL : E - COPPER • FINISH : ELECTRO TINNED / SILVER

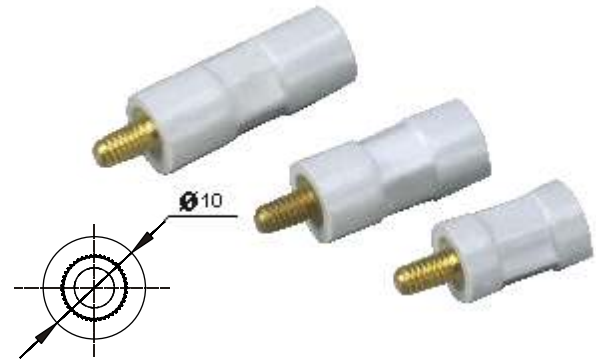
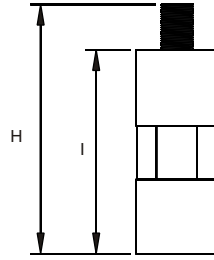
Bushes are manufactured and supplied as per customer's Specifications , Drawings etc.



PBT SPACERS

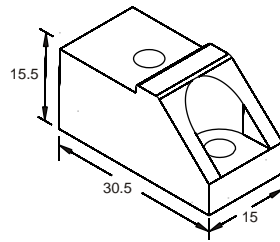
PBT SPACERS with BRASS Inserts
 Material : PBT Glass Filled
 Temp. Limit upto 130°C

Product Code	H	I
HPBTS - 01	22	16
HPBTS - 02	27.5	21
HPBTS - 03	32	25



NYLON NEUTRAL LINK BASE

Prod. Code : HNLB-01
 Material : Polyamide
 Colour: Black



NEUTRAL LINK BREAK

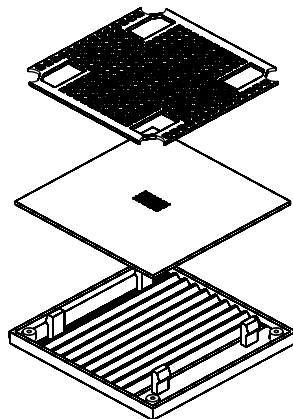
Material - Polyamide Glass Filled
 Colour : Black
 Temp. Limit upto 130°C

Product Code	Rating
HNLB - 60 AMP	60 Amp.
HNLB - 100 AMP	100 Amp.
HNLB - 250 AMP	250 Amp.



UNIVERSAL PLASTIC FILTER GUARD

Size: 96 x 96
 Prod. Code : HUPFG-96
 Material : ABS
 Colour : Black / Grey

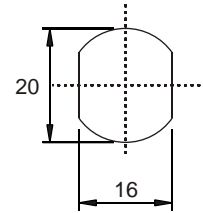
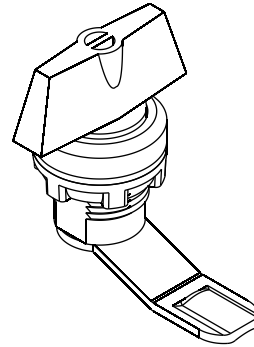
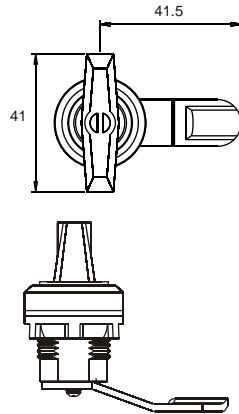
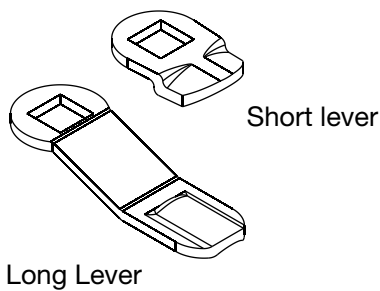


PANEL DOOR KNOB

Prod. Code : HDK-01

Material : Polyamide

Colour : Black



Cut-Out

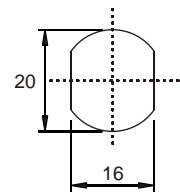
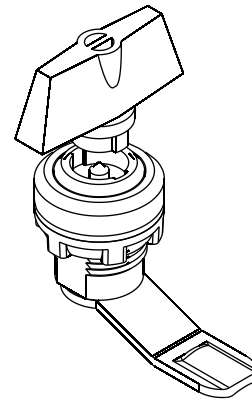
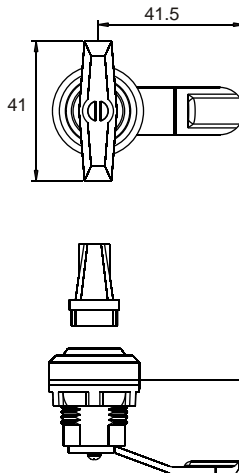
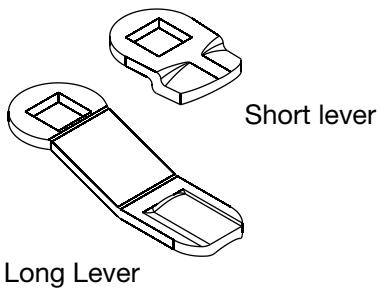
Short lever available in 20 mm Height.

Long Lever available with Height 'H' = 20 mm, 25mm, 30 mm, 40 mm, 45 mm & 50 mm
(Specify 'H' while ordering with long lever).

Prod. Code: HDK-02

Material: Polyamide

Colour: Black



Cut-Out

Short lever available in 20 mm Height .

Long Lever available with Height 'H' = 20 mm, 25mm, 30 mm, 40 mm, 45 mm & 50 mm
(Specify 'H' while ordering with long lever)

MCB/MODULE BLANKING PLATE

Colour :-Grey , Black

Type: 5 Way

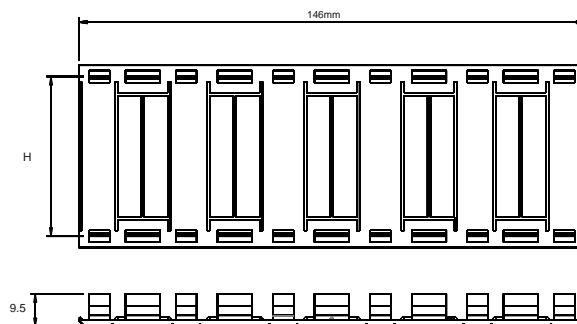
Material : HIPS

Colour : Dark Grey / Light Grey

A strip of 5 full & 6 half blankers



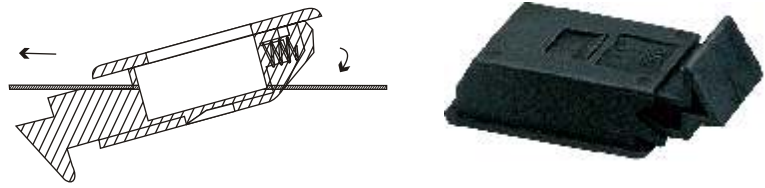
Product Code	H
HBP 5 Way - 01	46.5
HBP 5 Way - 02	44.5



NYLON SNAP LATCH

SNAP LATCH

Prod. Code: HSL
 Material: Polyamide
 Colour: Black/Grey



NYLON HINGE

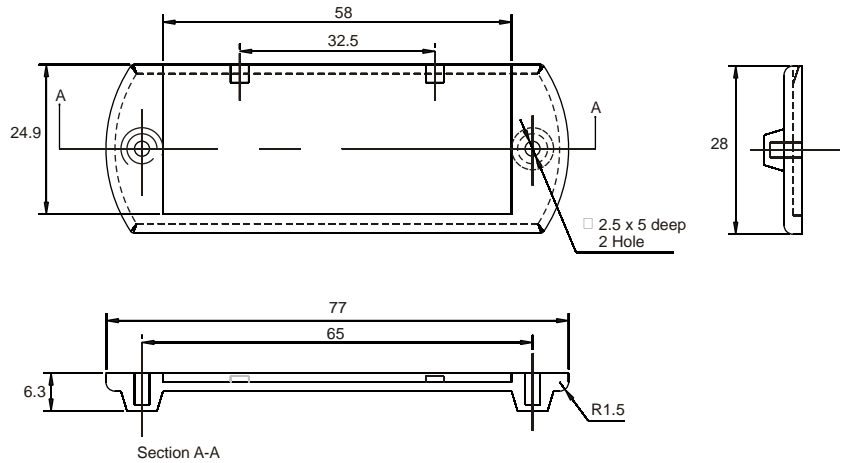
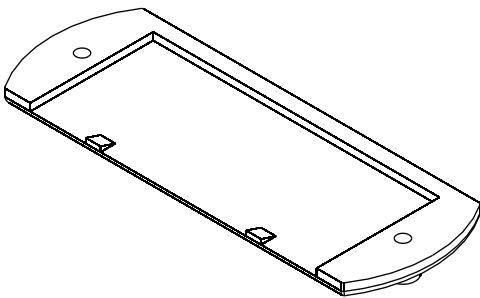
180 HINGE SMALL FOR 2 MM SHEET

Prod. Code: HNH
 Material: Body - Polyamide
 Pin - Derlin
 Colour : Black

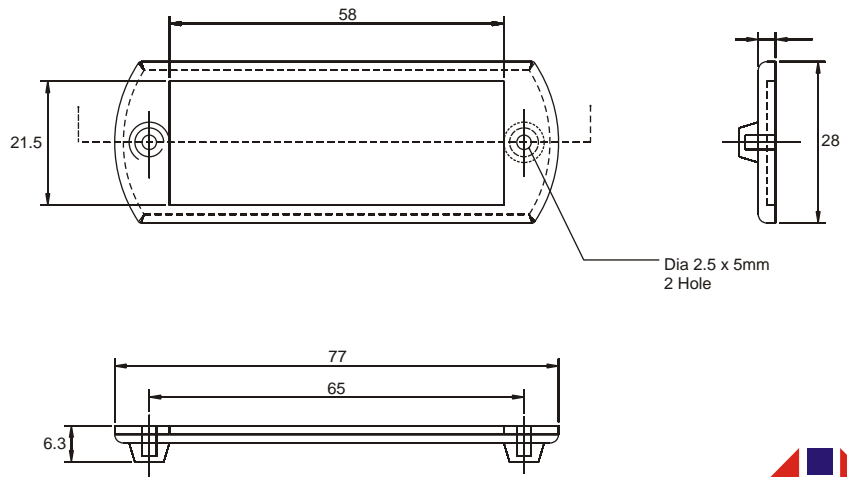
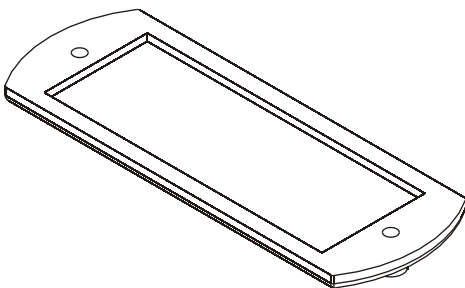


DOOR LABEL HOLDER

Prod. Code: HDLH-01
 Material: Polycarbonate
 Colour : Transparent

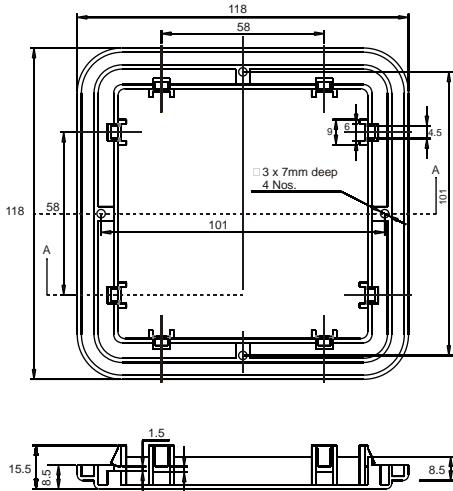
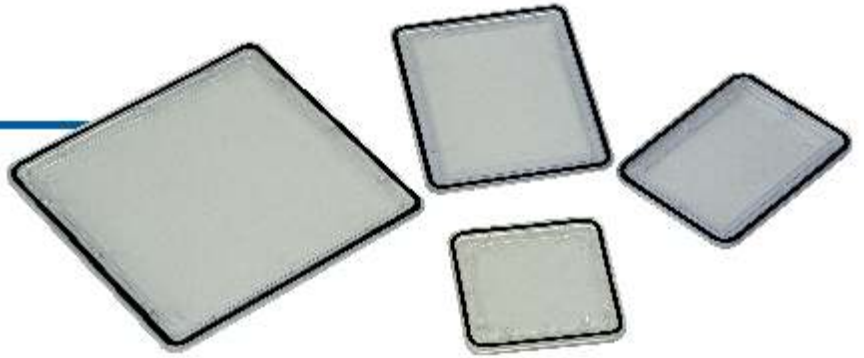


Prod. Code: HDLH-02
 Material: Polycarbonate
 Colour : Transparent



METER WINDOW GLASS

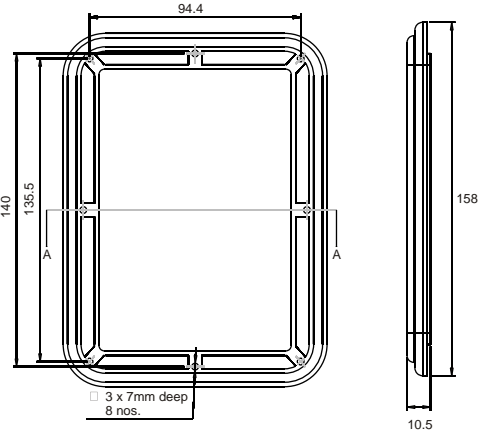
Colour : Transparent



Detail View A-A

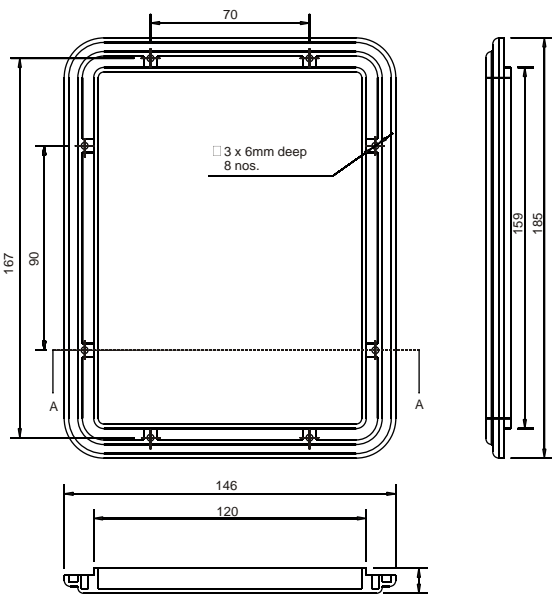
Size: 96 x 96 Type: Universal

Prod. Code : HUWG-96
Material : Polycarbonate
Cutout Size: 92 x 92



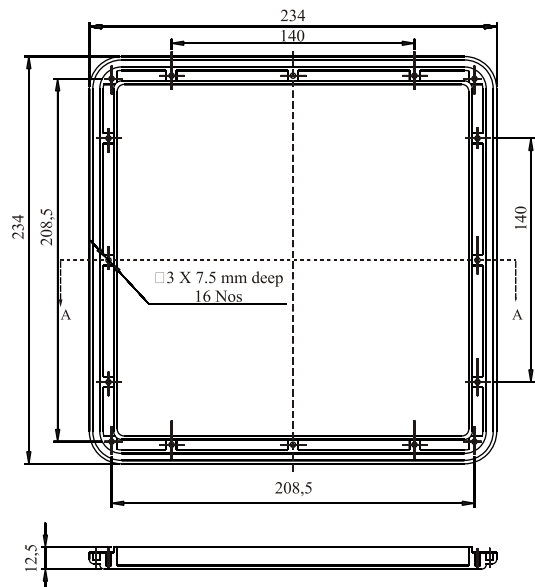
Detail View A-A

Prod. Code : HMWG-01
Material : Polycarbonate / SAN
Cutout Size: 90 x 130



Detail View A-A

Prod. Code : HMWG-02
Material : Polycarbonate / SAN
Colour : Transparent
Cutout Size: 120 x 159



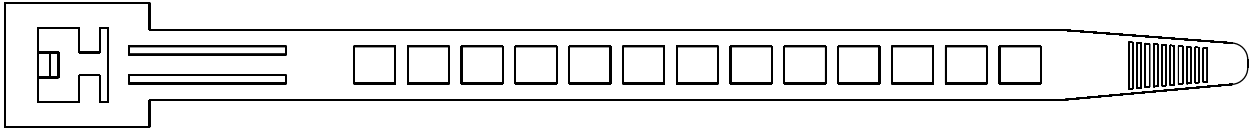
Detail View A-A

Prod. Code : HMWG-03
Material : Polycarbonate / SAN
Colour : Transparent
Cutout Size: 206 x 206

NYLON CABLE TIES & ACCESSORIES

Mains Chord Tie

Length - 150 mm



Prod. Code : HMCT-150

Cable Tie



Prod. Code: HNCT-65

Size: 65 x 2.5 mm

Prod. Code: HNCT-100

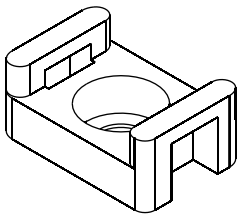
Size: 100 x 2.5 mm

Prod.Code HNCT-150

Size: 150 x 4.7 mm

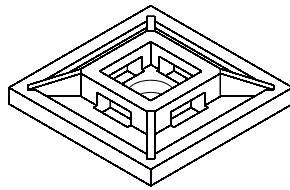
Screw Mounted Tie Support

Size: Suitable for 5mm Square.



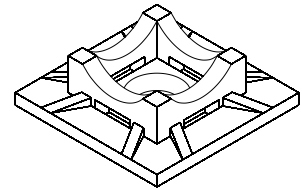
Prod. Code: HSMS-05

Self Adhesive Tie Mounts



Prod. Code: HTM-019

Size: 19mm L x 19 mm W

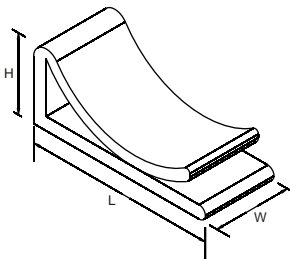


Prod. Code: HTM-025

Size: 25mm L x 25mm W

Self Adhesive Wire Supports

Size: 27mm L x 13mm W x 11mm H



Prod. Code: HSWS

PVC Belt & Button

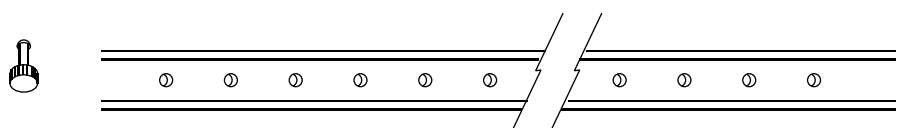
Prod. Code: HPBB-001

Belt Material: Soft PVC

Button material: HD

Size: 8mm

Colour : Black & grey.



Control Panel Spares



Chrome Plated Brass Hinges



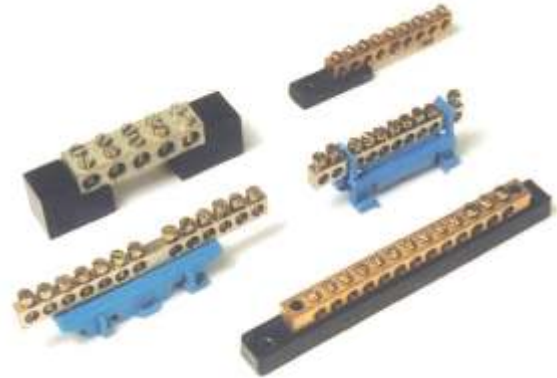
MS 3 Part Hinges



Porcelain Connectors



Hardwares and Spares



Neutral Links with / without base



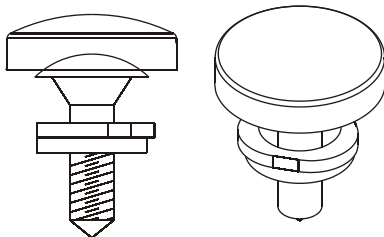
Concealed Screw Assembly

Prod. Code : HCSA

Material : PVC

Colour : Black, White, Grey

Parts: CSK Washer, Nylon Cap



Mains Power Connector

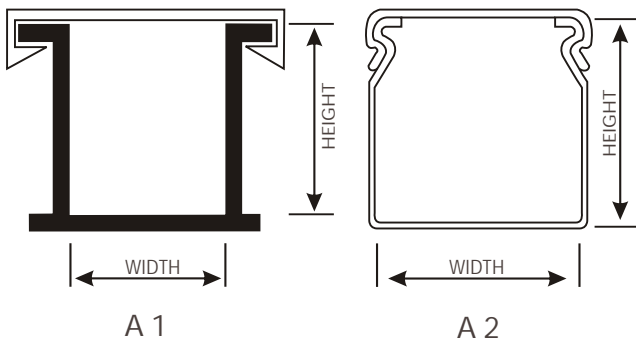
Prod. Code : HMPC

Type: 3 Way

Rating: 40A , 450 V

Temp. upto 150 °c

PVC CABLE DUCTS / CHANNELS / PANEL TRUNKINGS



Standard Length : 1 mtr.
Standard Colour : Grey.
(other colours on request)



HEX high quality PVC Channels adhere to international standards in all processes of manufacturing, thus ensuring a product which meets the highest level of Quality & Safety. The Salient features are :

- Made of rigid poly vinyl chloride (PVC) of high tensile & compressive strength.
- Highly durable, will not crack, peel or chip, also resistant to oil, fungus, salt solutions etc..
- Non brittle, non inflammable and also warp proof.
- Fast & efficient locking guaranteed because of specially designed duct & cover.
- Slotting patterns prevents wire from popping up, while removing cover.
- Elongated slots at the bottom makes flexible mounting possible.
- Special orders regarding colours, length or modification of existing range can be manufactured as per your Spec.

Sr. No.	Length in meters	Section Size Height x Width (mm ²)	Channel Cross Section Area (mm)	Single Core Unsheathed Cable Cable Housing Capacity No. of Wires			Prod. Code
				OD 2.95 mm 1.5 mm ²	OD 3.65 mm 2.5 mm ²	OD 4.35 mm 4 mm ²	
1	2	15 x 15	225	13	8	6	HPCX 1515
2	2	15 x 25	375	22	14	10	HPCX 1525
3	2	25 x 25	625	36	23	17	HPCX 2525
4	2	30 x 25	750	43	28	20	HPCX 3025
5	2	40 x 30	1200	69	45	32	HPCX 4030
6	2	45 x 25	1125	65	42	30	HPCX 4525
7	2	45 x 30	1350	78	51	36	HPCX 4530
8	2	45 x 45	2025	116	76	54	HPCX 4545
9	2	45 x 60	2700	155	101	71	HPCX 4560
10	2	60 x 25	1500	86	56	40	HPCX 6025
11	2	60 x 45	2700	155	101	71	HPCX 6045
12	2	60 x 60	3600	207	135	95	HPCX 6060
13	2	75 x 25	1875	108	70	50	HPCX 7525
14	2	75 x 45	3375	194	126	89	HPCX 7545
15	2	75 x 60	4532	225	165	128	HPCX 7560
16	2	75 x 75	5625	323	211	149	HPCX 7575
17	2	100 x 100	10000	575	375	264	HPCX 100 ²

Note : While placing your order, please state the Size (Ht x W) and Length (if deviating from Std. 1 mts.).

METAL SPACERS

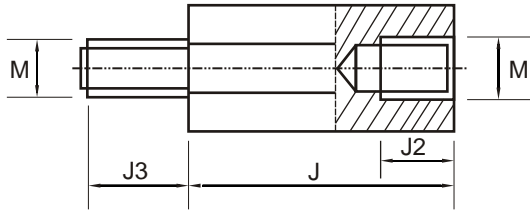


Features :

- Galvanised Steel - Yellow Passivated
- Hexagonal Profile
- Traction Resistance 500 N/mm²

Threading :

M - F, Complying with DIN176 standards



J	A	J3	J2	Hex Profile	PROD. CODE
10	M4	8	6	M7	HMS - 107
15	M4	8	10	M7	HMS - 157
20	M4	8	10	M7	HMS - 207
25	M4	8	10	M7	HMS - 257
30	M4	8	10	M7	HMS - 307
35	M4	8	10	M7	HMS - 357
40	M4	8	10	M7	HMS - 407
50	M4	8	10	M7	HMS - 507
60	M4	8	10	M7	HMS - 607
70	M4	8	10	M7	HMS - 707
90	M4	8	10	M7	HMS - 907
15	M5	8	10	M8	HMS - 158
20	M5	8	10	M8	HMS - 208
25	M5	8	10	M8	HMS - 258
30	M5	8	10	M8	HMS - 308
35	M5	8	10	M8	HMS - 358
40	M5	8	10	M8	HMS - 408
50	M5	8	10	M8	HMS - 508
60	M5	8	10	M8	HMS - 608
70	M5	8	10	M8	HMS - 708
90	M5	8	10	M8	HMS - 908
20	M6	10	12	M10	HMS - 2010
25	M6	10	12	M10	HMS - 2510
30	M6	10	12	M10	HMS - 3010
35	M6	10	12	M10	HMS - 3510
40	M6	10	12	M10	HMS - 4010
50	M6	10	12	M10	HMS - 5010
60	M6	10	12	M10	HMS - 6010
70	M6	10	12	M10	HMS - 7010
90	M6	10	12	M10	HMS - 9010
25	M8	14	14	M13	HMS - 2513
30	M8	14	14	M13	HMS - 3013
35	M8	14	14	M13	HMS - 3513
40	M8	14	14	M13	HMS - 4013
50	M8	14	14	M13	HMS - 5013
60	M8	14	14	M13	HMS - 6013
70	M8	14	14	M13	HMS - 7013
90	M8	14	14	M13	HMS - 9013

WELD STUDS

HEX manufactures a wide range of Speciality Fusion Weldable Fasteners, Autoweld Studs, Hardwares used for Stud Welding



Product Range : Drawn Arc type, Capacitor Discharge type, Short Cycle type, Break Off type, in various diameters, Shapes, Materials & Range of Length. Also as per customers requirement with or without thread.

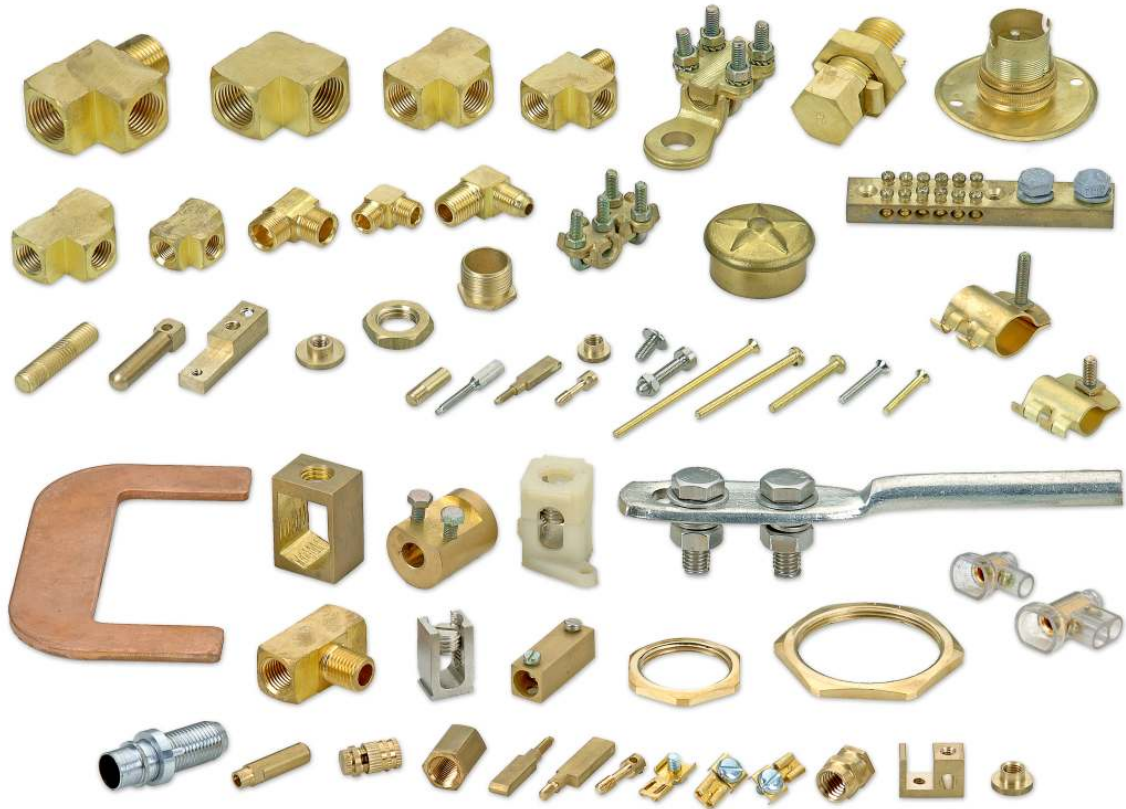
Material : MS, SS, Aluminium, Brass, etc.

Sizes : ØM3 to ØM20 (also available in imperial sizes)

Finish : Natural, Nickel, Copper, Zinc etc. (as per customers requirement)

Accessories : Ceramic Ferrules can be provided

HEX Welding Studs have been made to withstand Bend test, Torque test and Tensile Strength test as per specifications.



The above shown terminals and products, built to International Standards, is supplied to leading manufacturers of Switchboard , Switches , Transformers , Battery , Switchgear , Terminal Blocks, Distribution Boards , Panel Builders etc. all over the world.

HEX an ISO recognised company is amongst the leading manufacturers of electrical accessories. HEX has been providing its services to customers from all over the world for the past decade. Our experience, along with the latest technology, allows us to provide superior service to the electrical industry , in both hazardous and non-hazardous areas of electrical installation.

“HEX” has specialised in developing components and terminals in ferrous and non-ferrous metals as per the customer’s design and specifications. We possess the capacity to develop and manufacture tailor made items, as per the customers requirements, on the basis of the design and specifications given to us.



We also make Moulds & Dies for Various Plastics, Bakelite, SMC & DMC Components.