



BRASS CABLE GLAND KITS & ACCESSORIES

TECHNICAL DATA

General Specification : BS standard BS 6121 part I 1989

- Material :
- a) Glands - Bodies, Caps & Rings are manufactured from brass.
 - b) Seals - Nitrile rubber
 - c) Shrouds / Sleeves - Black Poly Vinyl Chloride (PVC)
 - d) Earth tag - Natural Brass
 - e) Locknut - Natural Brass / Galvanised

Finish : Natural Brass / Nickle Plated.

Entry Thread : Isometric (Imperial thread, NPT thread, PC thread available on request.)

GLAND SELECTION CHART

The gland sizes recommended are in accordance with calculations based on cables manufactured to BS 6346 (1969) and HEX does not accept any responsibility for cables that prove to deviate materially from the nominal diameters quoted in BS 6346 (1969).

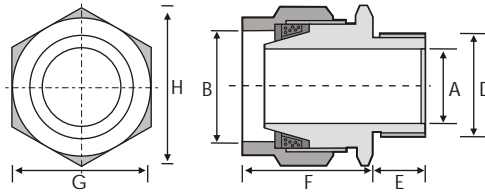
600/1000V stranded copper conductors PVC insulated with steel wire armour & PVC sheathed overall														
Cable Size Conductor		Number of Cores												
Nom. area mm ²	Neutral	1	2	3	31/2	4	5	7	10	12	19	27	37	48
1.5	-	-	20/16	20/16	-	20S	20S	20s	20	20	25	25	32	32
2.5	-	-	20S	20S	-	20S	20S	20	25	25	25	32	32	40
4	-	-	20S	20	-	20	20	25	25	32	32	40		
6	-	-	20	20	-	20								
10	-	-	25	25	-	25								
16	-	-	25	25	-	25								
25	16	-	32	32	32	32								
			25	25		32								
35	16	-	32	32	32	40								
			25	32		32								
50	25	25	32	32	32	40								
70	35	25	32	40	40	40								
95	50	25	40	40	50S	50S								
120	70	32	40	50S	50	50								
150	70	32	50S	50	50	63S								
185	95	32	50	50	63S	63								
240	120	40	50	63S	63	75S								
300	150	40	63S	63	75S	75								
300	185	-	-	-	75	-								
400	185	50S	63	75S	90	90								
500	-	50	-	-	-	-								
630	-	50	-	-	-	-								
800	-	63S	-	-	-	-								
1000	-	63	-	-	-	-								

BW CABLE GLAND (2 PART)

Application : For use with armour or braided cable, secures armouring & provides electrical continuity between armour & gland entry component mainly used in dry and indoor condition

Design Features : 2 part armour lock , Knurled armour lock produces a low resistance earth clip.

Also available in CIEL (cast integral earth lug), for orders add “ C “ to prod. code



Size	Cable Dimensions Accomodate			Gland Dimensions					Prod. Code
	Under Armour Dia. A Max. mm	Overall Dia. B Max. mm	Armour wire dia. C mm	ISO Entry Thread		Approx length from shoulder F mm	Hexagon Size		
				Dia. D mm	Length E mm		Across flat G mm	Across corners H mm	
16	8.60	13.50	0.90	16	10	23.00	20.00	23.00	HBW - 16
20 S	12.30	17.00	0.90/1.25	20	10	23.00	23.00	24.00	HBW - 20 S
20	14.30	20.00	0.90/1.25	20	10	30.00	25.00	27.00	HBW - 20
25 S	18.00	23.80	1.25/1.60	25	10	30.00	31.00	32.50	HBW - 25 S
25	20.40	27.00	1.25/1.60	25	10	32.00	30.00	38.50	HBW - 25
32	26.50	33.00	1.60/2.00	32	10	36.00	41.50	45.50	HBW - 32
40 S	31.00	37.00	1.60/2.00	40	10	36.00	45.00	50.00	HBW - 40S
40	32.50	43.00	1.60/2.00	40	15	40.00	49.00	54.00	HBW - 40
50 S	37.80	48.00	2.00/2.50	50	15	40.00	58.00	65.00	HBW - 50S
50	44.00	53.00	2.00/2.50	50	15	45.00	62.30	69.50	HBW - 50
63 S	50.50	60.50	2.50	63	15	45.00	70.00	77.00	HBW - 63S
63	56.50	65.50	2.50	63	15	50.00	76.30	85.00	HBW - 63
75 S	62.50	72.00	2.50	75	15	50.00	85.00	95.00	HBW - 75 S
75	67.50	78.50	2.50/3.15	75	15	75.00	90.50	99.00	HBW - 75
90	80.00	93.00	3.15	90	20	75.00	112.00	125.00	HBW - 90

BW CABLE GLAND (3 PART)

Similar in application and design to the BW (2 part) gland. However an extra component is added, a cone ring. This prevents rotation of the wire and is used instead of a knurled cone.

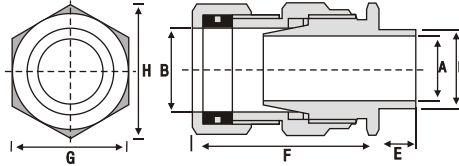


CW CABLE GLAND (3 PART)

Application : For use with armoured cable, secures armouring and provides electrical continuity between armour and gland entry component. Also provides a seal on the outer sheath of the cable thus ensuring no damage to cable sheathing. These are used both indoor and outdoor, in all climatic conditions as it is weatherproof & waterproof.

Design Features : 2 part Armour / Earth Lock, Knurled Armour Lock produces a low resistance earth clip.

Also available in CIEL (cast integral earth lug) for orders add " C " to prod. code.



Size	Cable Dimensions Accomodate			Gland Dimensions					Prod. Code
	Under Armour Dia. A Max. mm	Overall Dia. B Max. mm	Armour wire dia. C mm	ISO Entry Thread		Approx length from shoulder F mm	Hexagon Size		
				Dia. D mm	Length E mm		Across flat G mm	Across corners H mm	
16	8.60	13.50	0.90	16	10	40.00	20.00	23.00	HCW - 16
20 S	12.50	17.00	0.90/1.25	20	10	47.00	22.00	29.00	HCW - 20 S
20	14.40	20.50	0.90/1.25	20	10	47.00	26.00	29.00	HCW - 20
25 S	17.80	23.80	1.25/1.60	25	10	50.00	31.00	34.00	HCW - 25 S
25	20.40	27.00	1.25/1.60	25	10	50.00	34.00	38.50	HCW - 25
32	26.50	33.00	1.60/2.00	32	10	55.00	41.50	46.50	HCW - 32
40 S	31.00	37.00	1.60/2.00	40	10	60.00	45.00	50.00	HCW - 40S
40	32.50	40.80	1.60/2.00	40	15	60.00	49.00	54.00	HCW - 40
50 S	37.80	45.00	2.00/2.50	50	15	65.00	51.00	64.00	HCW - 50S
50	44.00	51.50	2.00/2.50	50	15	65.00	62.30	69.50	HCW - 50
63 S	50.50	60.50	2.50	63	15	70.00	70.00	78.00	HCW - 63S
63	56.50	65.50	2.50	63	15	70.00	76.30	85.00	HCW - 63
75 S	62.50	72.00	2.50	75	15	75.00	85.00	95.00	HCW- 75 S
75	67.50	78.50	2.50/3.15	75	15	75.00	91.00	112.00	HCW - 75
90	80.00	90.00	3.15	90	20	90.00	103.00	115.00	HCW - 90

CW GLAND (4 PART)

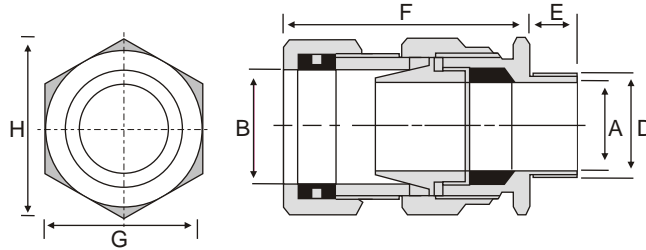
Similar in application and design to the CW (3 part) gland. However an extra component is added, a cone ring. This prevents rotation of the wire and is used instead of a knurled cone.

E1W CABLE GLAND

Application : For use with all types of SWA extruded bedding cable where it is essential to produce IP 66 seal on to the outer sheath and also produce an IP 66 or explosion proof seal on inner sheath. It provides seals on to both inner sheath and outer sheath of the cable.

Design Features : 2 part armour / Earth Lock , Knurled Armour Lock produces a low resistance earth clip, Inner and outer displacement seal , Rated at IP 66 in conjunction with entry thread seal.

Also available in CIEL (cast integral earth lug) for orders add " C " to prod. code.

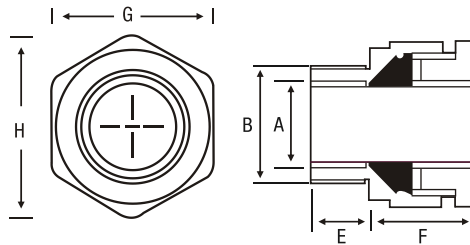


Size	Cable Dimensions Accomodate			Gland Dimensions					Prod. Code
	Under Armour Dia. A Max. mm	Overall Dia. B Max. mm	Armour wire dia. C mm	ISO Entry Thread		Approx length from shoulder F mm	Hexagon Size		
				Dia. D mm	Length E mm		Across flat G mm	Across corners H mm	
16	8.60	13.50	0.90	16	10	40.00	20.00	23.00	HETW - 16
20 S	12.50	15.00	0.90/1.25	20	10	45.00	24.00	28.00	HETW - 20 S
20	14.40	20.50	0.90/1.25	20	10	45.00	27.00	31.00	HETW - 20
25 S	17.80	23.80	1.25/1.60	25	10	50.00	31.00	34.00	HETW - 25 S
25	20.40	27.00	1.25/1.60	25	10	50.00	34.00	38.50	HETW - 25
32	26.50	33.00	1.60/2.00	32	10	55.00	41.50	46.50	HETW - 32
40 S	31.00	37.00	1.60/2.00	40	10	60.00	45.00	50.00	HETW - 40S
40	32.50	40.80	1.60/2.00	40	15	60.00	49.00	54.00	HETW - 40
50 S	37.80	48.00	2.00/2.50	50	15	65.00	58.00	65.00	HETW - 50S
50	44.00	53.50	2.00/2.50	50	15	65.00	62.30	69.50	HETW - 50
63 S	50.50	60.50	2.50	63	15	70.00	70.00	78.00	HETW - 63S
63	56.50	65.50	2.50	63	15	70.00	76.30	85.00	HETW - 63
75 S	62.50	72.00	2.50	75	15	75.00	85.00	95.00	HETW - 75 S
75	67.50	78.50	2.50/3.15	75	15	75.00	90.50	99.00	HETW - 75
90	80.00	94.00	3.15	90	20	90.00	112.00	125.00	HETW - 90

A1 / A2 CABLE GLAND

Application : For use with unarmoured cables with rubber outer sheath. Secures outer sheath of cable. Displacement seal concept makes it suitable for Indoor and outdoor application.

Design Features : Outer displacement seal



Size	Cable Dimensions Accomodate		Gland Dimensions					Prod. Code
	Overall Diameter A		ISO Entry Thread		Approx length from shoulder F mm	Hexagon Size		
	Min. mm	Max. mm	Dia. D mm	Length E mm		Across flat G mm	Across corners H mm	
16	4.50	8.50	16	10	20.00	20.00	23.00	HA2 - 16
20 S	8.00	11.50	20	10	22.00	22.00	25.00	HA2 - 20 S
20	11.00	14.00	20	10	22.00	22.00	25.00	HA2 - 20
25 S	14.00	17.50	20	10	25.00	30.00	34.00	HA2 - 25 S
25	17.50	20.40	25	10	26.00	30.00	34.00	HA2 - 25
32	20.00	26.00	32	10	30.00	36.00	40.00	Ha2 - 32
40 S	26.00	30.00	40	10	31.00	46.00	52.00	HA2 - 40 S
40	30.00	33.00	40	15	31.00	46.00	52.00	HA2 - 40
50 S	33.00	38.00	50	15	33.00	55.00	61.00	HA2 - 50 S
50	38.00	44.00	50	15	33.00	56.00	62.00	HA2 - 50
63 S	44.00	50.50	63	15	35.00	70.00	77.50	HA2 - 63 S
63	50	56.00	63	15	35.00	70.00	77.50	HA2 - 63
75 S	56.50	62.00	75	15	35.00	80.00	89.00	HA2 - 75 S
75	62.00	68.00	75	15	40.00	80.00	89.00	HA2 - 75
90	68.00	78.00	90	20	45.00	100.00	112.00	HA2 - 90
100	78.00	88.00	100	20	45.00	112.00	125.00	HA2 - 100



GLAND KIT

Kit Packing :

16/20 -32 inclusive

2-Brass glands
2-Black PVC shrouds
2-Galv. steel locknuts
2-Brass earhtags

Kit Packing :

40-90 inclusive

1-Brass gland
1-Black PVC shrouds
1-Galv. steel locknuts
1-Brass earhtags



PVC SHROUD

Material : High Grade Polyvinylchloride

Features :

- Provides additional protection & enhances IP rating of the Gland Termination.
- Effective solution to weather and corrosion protection of a cable gland.
- Available in same gland size compatible to each size of the cable gland.
- The arrow end of the sleeve is readily cut with a knife, enabling it to be slipped over a wide range of cable diameters and assists ease of installations.



LOCK NUT

Material : Brass, Aluminium & Galvanized Steel.

Feature :

- Used in fastening glands to the gland plate.
- Available in Metric, Imperial, NPT, BSPT, BSP, & PG.

Sizes : 16mm to 75mm

Size mm or inch.	Product Code	Size mm or inch.	Product Code
16mm or 5/8"	HGA-LN-16	50mm or 2"	HGA-LN-50
20mm or 3/4"	HGA-LN-20	63mm or 2.1/2"	HGA-LN-63
25mm or 1"	HGA-LN-25	75mm or 3"	HGA-LN-75
32mm or 1.1/4"	HGA-LN-32	90mm or 3.1/2"	HGA-LN-90
40mm or 1.1/2"	HGA-LN-40		

EARTHING TAG

Material : Brass, Aluminium & Copper

Features :

- Means of connection or an earth bond around the cable gland.
- Available in various shapes and in all sizes.
- Ensures earth continuity between the electrical equipment & the gland.
- Can be coated or plated as per Customer Specification.

Metric	Product Code	Size	Product Code
M16	HGA-ET-16	M50	HGA-ET-50
M20	HGA-ET-20	M63	HGA-ET-63
M25	HGA-ET-25	M75	HGA-ET-75
M32	HGA-ET-32	M80	HGA-ET-80
M40	HGA-ET-40	M90	HGA-ET-90



MARINE -USE WATERTIGHT CABLE GLANDS

Material : Brass

Finish : Nickle Plated

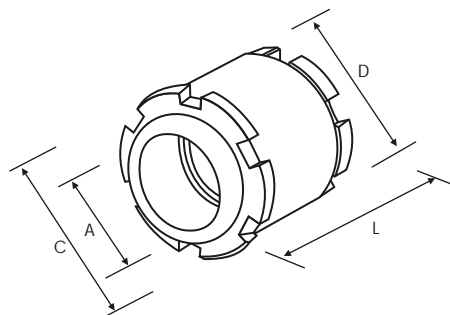
No. of Parts :

Body, Clamping Gland, Lock Nut, Ywo Brass Washers, Rubber Thread Seal, Rubber Inner Compression Ring.

Size Range : 3/8" to 3"

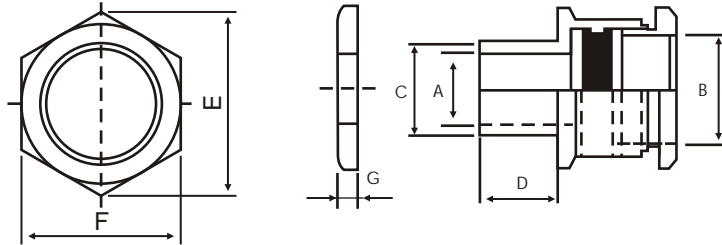


Pipe Thread	Gland ID in mm A	Rubber ID	Locknut OD in mm C	Gland OD in mm D	Total Length L	Product Code
PF 3/8	10	8	28	22	38	HCG10
PF 1/2	15	10	31.5	28	42	HCG15
PF 3/4	20	13	37	33.5	46	HCG20
PF 1	25	15	45	42	52	HCG25
PF 1 1/4	30	24	46	49.5	57	HCG30
PF 1 1/2	40	30	63	55	65	HCG35
PF 1 1/2	40	34	63	55	65	HCG40
PF 2	45	38	77	69	73	HCG45
PF 2	50	44	77	69	73	HCG50
PF 2 1/2	55	48	96	85	83	HCG55
PF 2 1/2	60	54	96	85	83	HCG60
PF 3	65	60	112	100	95	HCG65
PF 3	70	64	112	100	95	HCG70



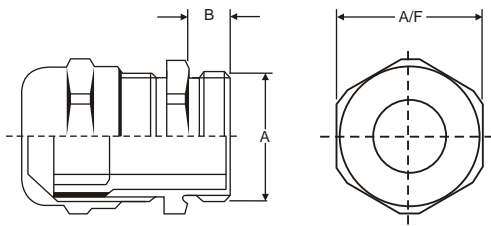
SINGLE COMPRESSION TYPE BRASS CABLE GLAND FOR UNARMOURD CABLE

Application : For use with unarmoured cable, secures and provides electrical continuity between unarmoured cable and gland entry component. Also provides a seal on the outer sheath of the cable thus ensuring no damage to cable sheathing. These are used both indoor and outdoor, in all climatic conditions as it is weatherproof & waterproof.



Max. O.D.	Cable Dimn. Overall Dia.		Nipple Entry Thread		Cable Gland Dimensions							Product Code
	Over	Under	Inch.	mm.	A	B	C	D	E	F	G	
14.0	12.0	10.0	3/8"	10	11.5	12.5	15.5	7.5	20.5	18.0	2.5	HC-3/8"
16.0	15.0	10.0	1/2"	12	12.0	15.0	15.5	8.5	25.0	22.0	3.0	HC-1/2"
16.0	16.0	10.0	5/8"	16	14.5	16.5	18.5	8.0	24.0	21.0	2.5	HC-5/8"
18.0	16.5	14.0	3/4"	19	14.5	17.5	19.0	8.5	26.0	23.0	2.5	HC-3/4"
20.0	17.5	16.5	7/8"	22	14.5	20.0	18.5	8.5	29.0	25.0	3.0	HC-7/8"
23.0	20.5	18.5	1"	25	20.5	23.0	25.0	9.0	33.0	29.0	3.0	HC-1"
30.0	27.5	22.5	1-1/8"	28	24.0	28.0	28.5	10.5	40.0	35.0	3.5	HC-1-1/8"
30.0	27.5	26.5	1-1/4"	32	27.0	32.0	31.5	11.0	46.0	40.0	3.5	HC-1-1/4"
33.0	33.0	29.6	1-3/8"	35	29.5	35.5	34.5	11.0	50.0	44.0	4.0	HC-1-3/8"
38.0	37.0	33.5	1-1/2"	38	33.0	39.5	38.0	11.5	54.0	47.0	4.0	HC-1-1/2"
45.0	40.0	37.5	1-3/4"	45	40.0	44.5	44.0	11.5	62.0	54.0	4.5	HC-1-3/4"
49.0	43.0	43.5	2"	50	45.0	51.5	50.0	13.0	69.0	60.0	5.0	HC-2"
55.0	52.0	49.0	2-1/4"	57	51.5	58.0	56.5	13.0	78.0	68.0	5.0	HC-2-1/4"
61.0	56.0	64.5	2-1/2"	63	57.5	62.5	63.0	14.0	82.0	72.0	5.0	HC-2-1/2"
67.0	67.0	61.5	2-3/4"	70	63.5	69.0	69.0	15.0	90.0	80.0	5.0	HC-2-3/4"
73.0	73.0	66.5	3"	75	68.0	75.0	75.0	16.0	99.0	87.0	5.5	HC-3"
80.0	74.0	72.5	3-1/4"	82	75.0	81.5	82.0	16.0	105.0	92.0	6.0	HC-3-1/4"
83.0	83.0	80.5	3-1/2"	88	81.5	86.5	88.0	16.0	115.0	102.0	6.0	HC-3-1/2"
95.0	95.0	84.0	4"	100	92.0	101.0	100.0	17.0	126.0	110.0	6.5	HC-4"
105.0	108.0	100.0	4-1/2"	112	107.0	109.0	105.0	20.0	148.0	129.5	7.5	HC-4-1/2"

NICKLE PLATED BRASS GLAND - IP68 RATING - METRIC THREAD



This Metal Gland is a new unique product that is very different from traditional metal glands.

- IP68 rating - the highest possible.
- Superior strain relief.
- Nickel plated brass for corrosion protection.
- Incorporates a unique 'camera shutter' principle which protects the cable.
- Fully insulated by plastic insert.
- Neoprene seal for fluid tightness.

The perfect gland for unarmoured PVC, XLPE and other synthetic cables.

Material

Brass nickel plated
Polyamide 6 insert - (self extinguishing)
Neoprene seal - (self extinguishing)
Neoprene O-Ring - (self extinguishing)

Continuous operating temperature

-20 to + 100°C

Chemical resistance

Resistant to normal organic solvents, mineral, animal and vegetable oils and fat, petrol.

Threading

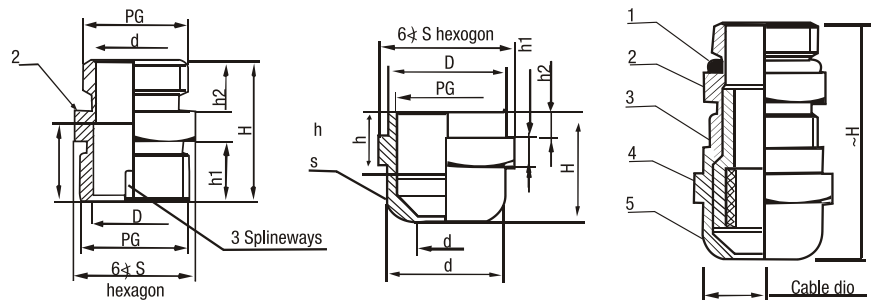
According to IEC 423, IEC 423A and EN 60423

IP rating

IP68

Mounting Thread		Min.	Max.	Width	Product Code	Pack Code
A Dia. (mm)	B Leng. (mm)	Cab. Ran. (mm)	Cab. Ran. (mm)	A/F (mm)		
12	5	3	6	14	HIP68 - 12	40
16	5	5	10	17	HIP68 - 16	20
20	6	8	13	22	HIP68 - 20	20
25	7	11	17	27	HIP68 - 25	10
32	8	15	21	34	HIP68 - 32	5
40	8	19	28	43	HIP68 - 40	3
50	9	26	35	55	HIP68 - 50	1
63	10	32	42	65	HIP68 - 63	1

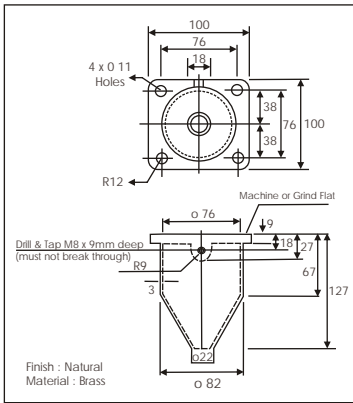
NICKLE PLATED BRASS GLAND - IP68 RATING - PG THREAD



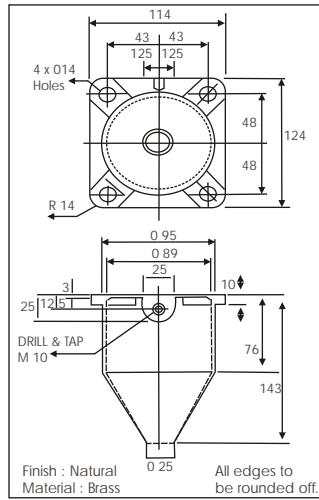
Cable DIA.	Dimensions							Dimensions							H*	Product Code
	D	d	H	S	h	h1	h2*	D	d	H	S	h	h1	h2*		
3 - 6.5	13.9	6.5	13	14	8.5	3.5	3	9.6	9	16.5	14	9	7	6 (10)	26	HPG - 7
4 - 8	16.8	8.5	14	17	9	3.5	3.5	12.5	11	17	17	15	7.5	6 (10)	27	HPG - 9
5 - 10	19.8	10.5	16	20	9.5	3.5	3.5	15	13.5	17	20	13.5	7.5	6 (10)	28	HPG - 11
6 - 12	21.8	12	15	22	11	3.5	3.5	17	14	17	22	14.5	7.5	6.5 (10)	28	HPG - 13
10 - 14	23.8	14.5	17	24	12.5	4	4	19	16	20	24	16.5	10	6.5 (10)	30	HPG - 16
13 - 18	29.7	18.5	20.5	30	13	4	4	24	20.5	22	30	16.5	11	7 (12)	35	HPG - 21
18 - 25	39.5	25	24	40	15.5	5	5	32	28.5	26	40	19.5	16	8 (12)	40	HPG - 29
22 - 32	49.7	33	31	50	20.5	7.5	5	40	35	30	50	19.5	16	10 (15)	48	HPG - 36
30 - 38	56.5	39	26.5	58	17.5	8.5	4.5	49	43	35	58	23	15	12 (15)	54	HPG - 42
34 - 44	63.5	44.5	25	64	13.5	7	4	54	54	30	34	30	13	10 (14)	58	HPG - 48

WIPING GLAND

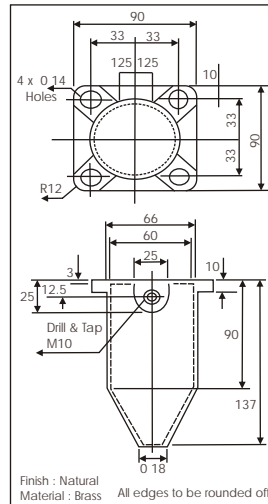
These are made from heavy duty brass. Wiping glands are made as per customers drawings & specifications



Prod. Code : HWG - 1



Prod. Code : HWG - 2



Prod. Code : HWG - 3



NICKLE PLATED BRASS CABLE GLAND WITH PG THREAD FOR UNARMORED

Material : Brass BS2874 CZ121 **Finish :** Nickle plated

Application

Outdoor / Indoor for use all braided unarmored cable fittings

Size in PG

From PG - 7 to PG - 48

Thread	Product Code	Thread	Product Code
PG - 7	HPG - 7	PG - 21	HPG - 21
PG - 9	HPG - 9	PG - 29	HPG - 29
PG - 11	HPG - 11	PG - 36	HPG - 36
PG - 13.5	HPG - 13.5	PG - 42	HPG - 42
PG - 16	HPG - 16	PG - 48	HPG - 48



Aluminium Cable Glands

Material : Aluminium Alloys

BWA Alu. Cable Glands

Application

Dry indoor for use with all types of extruded bending cable and are use for aluminum armoured termination

Size : M20 to M63

CWA Alu. Cable Glands

Application

For Indoor/Outdoor for use with all types of extruded bending cable and are use for aluminum armoured termination

Size : M20 to M63



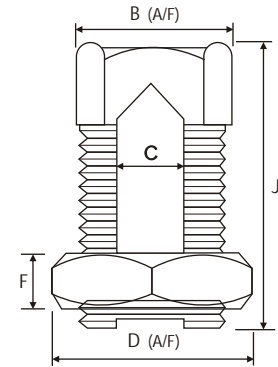
LINE TAPS / SPLIT BOLTS

Material : Brass Finishing : Copper / Tinned

HEX manufactures a vast range of line taps to meet the materials and dimensional specifications laid by different international standards. Brass line taps are made with high tensile brass as per BS 2874 - CZ 112. Threads are formed by rolling process giving the nut extra clamping force. Pressure pads are made from extruded bars (not cast), preventing the pads from cracking. Brass line taps are manufactured in passivated natural brass with electro tinned finish. They are also supplied in high conductivity copper.



PROD. CODE	Size	J	C	B a/f	D a/f	F
HSBC - 6	6	19.85	4.00	12.70	13.35	4.80
HSBC - 10	10	26.75	4.70	12.70	19.00	5.60
HSBC - 16	16	26.00	5.70	12.70	19.00	5.60
HSBC - 25	25	28.00	7.30	16.00	19.00	5.60
HSBC - 35	35	35.00	7.80	18.50	24.00	6.35
HSBC - 50	50	42.00	9.70	24.10	27.20	8.65
HSBC - 70	70	44.50	11.50	24.10	27.20	8.65
HSBC - 95	95	50.00	14.40	26.50	35.40	9.40
HSBC - 120	120	57.50	16.20	30.00	35.40	12.00
HSBC - 150	120	57.50	16.20	30.00	35.40	12.00
HSBC - 185	185	57.50	18.20	31.75	38.00	12.00
HSBC - 240	240	72.50	22.00	40.00	48.20	14.25
HSBC - 300	300	72.50	24.00	42.00	50.00	14.25
HSBC - 400	400	76.50	26.00	48.00	56.00	16.00
HSBC - 500	500	80.00	30.00	55.00	65.00	16.00



SPLIT BOLT CONNECTOR WITH ROUND HEAD

HEX has a complete range of split bolts that are used for joining aerial hard drawn copper conductors or insulated copper conductors. The split bolts are made from a high conductivity copper alloy with captive saddle which applies a distributed pressure to conductors. The head of the split bolt is suitable for standard spanner to fit in. They can be supplied in natural copper alloy or electro tinned.



Technical Data :

Conductive Material

Copper alloy

Operating Temperature

-55°C to 100°C

Electroplating Material

Tin 99.7% pure

Natural Brass	Electro Tinned	Max Cond. Size (mm ²)	Slot Width mm ²	Cross Reference
HSBC12	HSBC12T	25	6.6	-
HSBC22	HSBC22T	16	5.3	Type A
HSBC24	HSBC24T	35	8.3	Type B
HSBC25	HSBC25T	70	10.9	Type C
HSBC26	HSBC26T	95	12.9	Type D
HSBC28	HSBC28T	185	18.5	Type E

EARTH BAR

Earth Bar		Earth Bar with Plastic Base		
Product Code	No. of WAYS		Product Code	No. of WAYS
HEB 6	6		HNB 6	6
HEB 12	12		HNB 12	12
HEB 18	18		HNB 18	18
HEB 24	24		HNB 24	24
HEB 30	30		HNB 30	30
HEB 36	36		HNB 36	36
HEB 42	42		HNB 42	42
HEB 48	48		HNB 48	48
HEB 60	60		HNB 60	60
HEB 72	72		HNB 72	72
HEB 84	84		HNB 84	84



Earth Bar



Earth Bar with Plastic Base

BRASS NEUTRAL LINK / NEUTRAL BAR / CONNECTOR

'HEX' manufactures a vast range of terminal bars / neutral links for the electrical industry. Besides the available standard sizes, we also manufacture as per the customers specifications.

PROD. CODE	Cross Section (mm)	Cross Hole Dia.	Pitch	Thread
HN 97	9 x 7	5.6	8.0	M5
HN 118	11 x 8	6.0	7.5	M5
HN 1188	11 x 8	7.0	8.5	1/4" UNF
HN 1278	12.7 x 8	7.0	8.5	1/4" UNF
HN 1212	12.7 X 12.7	7.0	8.5	1/4" UNF



BRASS EARTHING TERMINALS

PROD. CODE	Size (mm)	Finish
HBE - 4D	4 x 16	Dull Tin Plating (British)
HBE - 4B	4 x 16	Zinc Finnish(Imported)
HBE - 2516	1 x 25 + 3 x 16	Dull Tin Plating (British)
HBE - 816D	8 x 16	Dull Tin Plating (British)
HBE - 816B	8 x 16	Bright Zinc Finnish(Imported)
HBE - 2516D	2 x 25 + 6 x 16	Dull Tin Plating (British)
HBE - 2516B	2 x 25 + 6 x 16	Bright Zinc Finnish(Imported)

